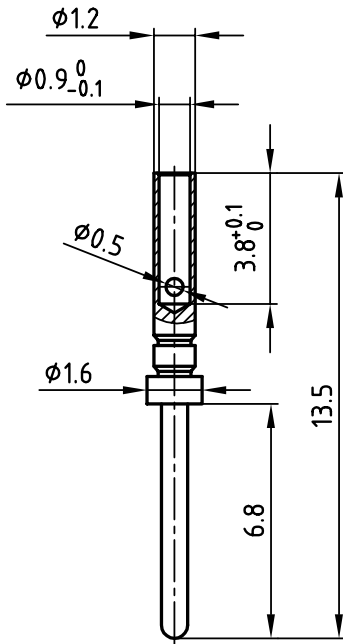


used for: D-SUB HD



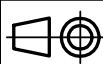
NOTES:

1. CONTACTS: BRASS
2. PLATING: min. 30µ" HARD GOLD OVER min. 50µ" NICKEL
3. ACCEPTS CABLE AWG 22

THIS DRAWING MAY NOT BE COPIED OR REPRODUCED IN ANY WAY, AND MAY NOT BE PASSED ON TO A THIRD PARTY WITHOUT WRITTEN PERMISSION.
 OWNERSHIP AND COPYRIGHT OF CONEC GmbH
 DO NOT ALTER CAD DRAWING BY HAND

CONEC CORPORATION
BRAMPTON, ONTARIO

tolerance
ISO 2768-m



scale: 5:1
material: SEE NOTES

				2001	date	name
				drawn	19.02.	Parei
				appd.	19.02.	E. Mickenbecker
				norm		
				d-old		

title:
HD CRIMP CONTACT

dwg no: AutoCAD 2000 DIN-A
16K1A138A 4
sh: 1/1



rev.	description	date	name

part no: **161C18009X**

4

3

2

1