

4

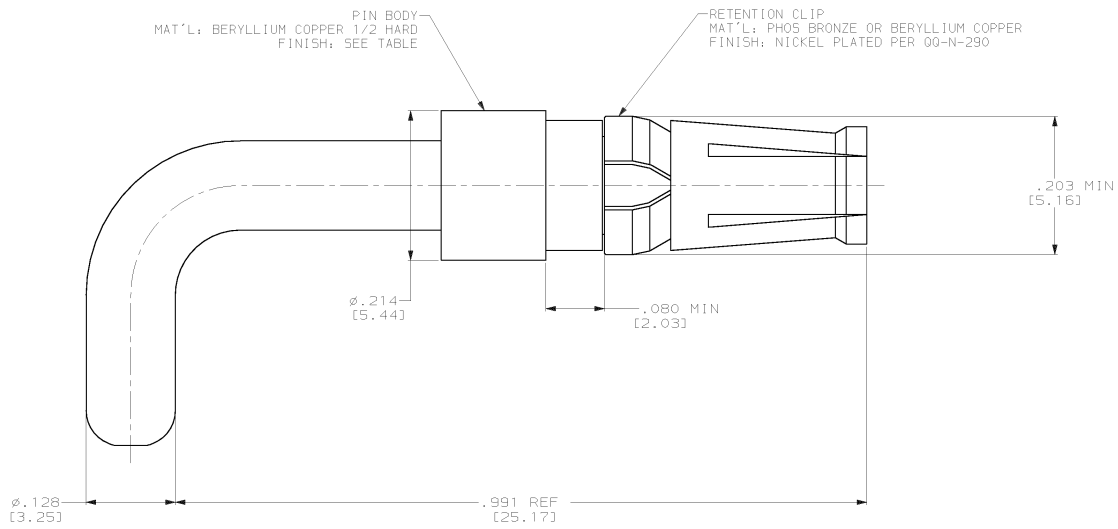
3

2

1

THIS DRAWING IS UNCLASSIFIED  
 (C) COPYRIGHT IS BY AMP INCORPORATED. ALL RIGHTS RESERVED.

LOC	DIST	REVISIONS					
DF	DD	F	LTR	DESCRIPTION	DATE	ENR	APPD
		B		REV PER 063D-0012-01	7-03	CT	DM



PRELIMINARY NOT RELEASED FOR PRODUCTION		445548-2
		445548-1
	FINISH	PART NUMBER

- FINISH: PLATED GOLD .000050 [0.00127] MIN THK PER MIL-G-45204 OVER NICKEL .000050 [0.00127] MIN THK PER 00-N-290.
- FINISH: PLATED GOLD .000030 [0.00076] MIN THK PER MIL-G-45204 OVER NICKEL .000050 [0.00127] MIN THK PER 00-N-290.
- 3. MATES WITH ANY POWER VIII PIN CONTACT.

THIS DRAWING IS A CONTROLLED DOCUMENT		DR C. C. THOMAS 11/10/00		AMP Incorporated Harrisburg, PA 17105-3608	
APPROVED FOR PRODUCTION		CHK D. MILLER 11/10/00		ASSEMBLY, SOCKET CONTACT SIZE 8, P.C. BOARD MOUNT	
DIMENSIONS INCHES (mm)	TOLERANCES UNLESS OTHERWISE SPECIFIED	DATE 11/10/00	SUBJ: CASE CODE DRAWING NO		RESTRICTED TO
Ø PLC ±.0015	±.0015	PRODUCT SPEC	A200779		445548
Ø PLC ±.0005 TO .131	±.0005 TO .131	APPLICATION SPEC	SCALE 10:1		SHEET 1 OF 1
Ø PLC ±.0005	±.0005	HEIGHT	CUSTOMER DRAWINGS		REV B
Ø PLC ANGLES 4°	4°	FINISH			
Ø PLC SEE CALLOUTS	SEE TABLE				