

4

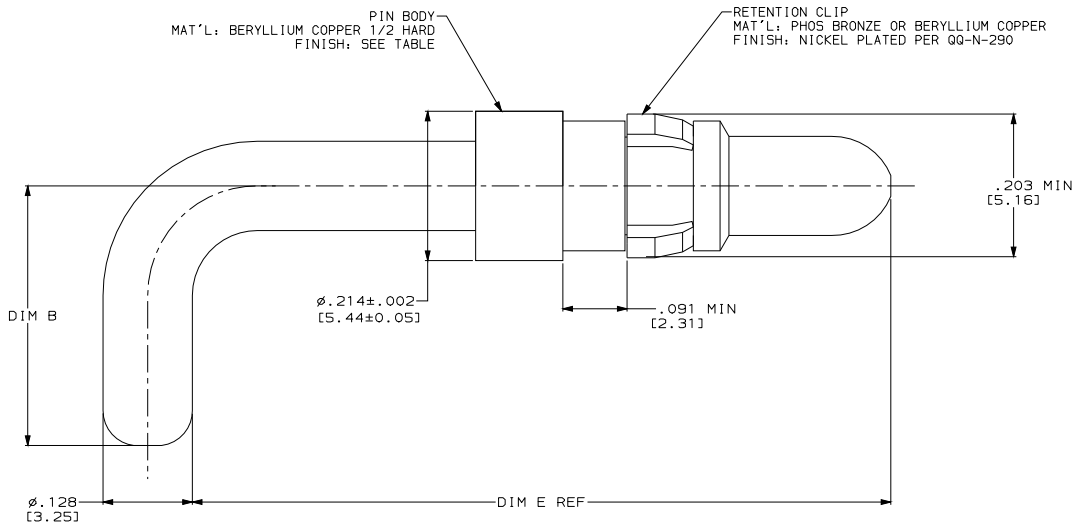
3

2

1

THIS DRAWING IS UNPUBLISHED. RELEASED FOR PUBLICATION
 BY AMP INCORPORATED. ALL RIGHTS RESERVED.

LOC	DIST	REVISIONS			
DF	DO	REV	DESCRIPTION	DATE	BY
		C	REV PER QH14-0181-04	3-04	CT LO



PRELIMINARY NOT RELEASED FOR PRODUCTION	.662 [16.81]	.490 [12.45]	\triangle	213062-3
	1.001 [254.25]	.372 [9.45]	\triangle	213062-2
	1.001 [254.25]	.372 [9.45]	\triangle	213062-1
	DIM E	DIM B	FINISH	PART NUMBER

\triangle FINISH: PLATED GOLD .000050 [0.00127] MIN THK PER MIL-G-45204 OVER NICKEL .000050 [0.00127] MIN THK PER QQ-N-290.

\triangle FINISH: PLATED GOLD .000030 [0.00076] MIN THK PER MIL-G-45204 OVER NICKEL .000050 [0.00127] MIN THK PER QQ-N-290.

THIS DRAWING IS A CONTROLLED DOCUMENT.		DATE	11/10/00
DRAWN BY: C. C. THOMAS		DATE	11/10/00
CHECKED BY: D. MILLER		DATE	11/10/00
APPROVED BY: D. MILLER		DATE	11/10/00
PRODUCT SPEC:		NAME	
APPLICATION SPEC:		SIZE	CAGE CODE
MATERIAL:		WEIGHT	DRAWING NO.
FINISH:			213062
SEE CALLOUTS	SEE TABLE	CUSTOMER DRAWING	SCALE 10:1 SHEET 1 OF 1 REV C

AMP Incorporated
 Harrisburg, PA 17105-3608

**ASSEMBLY, PIN CONTACT
 SIZE 8, P.C. BOARD MOUNT**