

4

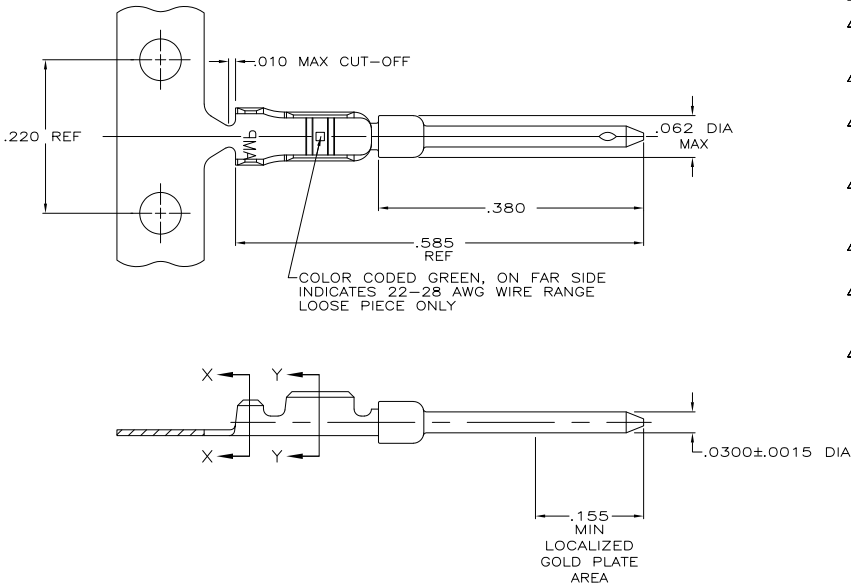
3

2

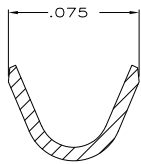
1

THIS DRAWING IS UNPUBLISHED. RELEASED FOR PUBLICATION. ALL RIGHTS RESERVED.

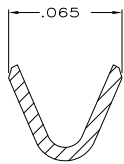
LOC	DIST	REVISIONS					
GP	00	P	LTR	DESCRIPTION	DATE	MIN	APVD
		J4		REVISED PER ECO-11-004835	11MAR11	RK	HMR



- ⚠ FOR MINI APPLICATOR.
- ⚠ FOR HAND TOOL USE ONLY.
- 3. WIRE RANGE OF 22-28, INSULATION RANGE OF .030-.040.
- ⚠ GOLD PLATING PER MIL-G-45204, NICKEL PLATING PER QQ-N-290, TIN PLATING PER MIL-T-10727.
- ⚠ GOLD PLATED IN LOCALIZED GOLD PLATED AREA, 000030 MIN GOLD IN MATED AREA, .000100 MIN TIN IN WIRE & INSULATION BARRELS, BOTH OVER .000050 MIN NICKEL.
- ⚠ GOLD FLASH IN LOCALIZED GOLD PLATE AREA, .000100 MIN TIN IN WIRE & INSULATION BARRELS, BOTH OVER .000030 MIN NICKEL.
- ⚠ .000050 MIN GOLD OVER .000050 MIN NICKEL ON ENTIRE CONTACT.
- ⚠ GOLD PLATED IN LOCALIZED GOLD PLATED AREA, 000015 MIN GOLD IN MATED AREA, .000100 MIN TIN IN WIRE & INSULATION BARRELS, BOTH OVER .000050 MIN NICKEL.
- ⚠ GOLD PLATING ON THE CARRIER STRIP IS NOT REQUIRED.



SECTION X-X
INSULATION BARREL
SCALE 25:1



SECTION Y-Y
WIRE BARREL
SCALE 25:1

SUPERSEDED BY 748333-2	STANDARD	⚠	⚠	⚠	STRIP	1-748333-5
OBSOLETE	SMALL PACK	⚠	⚠	⚠	LOOSE PIECE	1-748333-4
	STANDARD	⚠	⚠	⚠	STRIP	748333-9
OBSOLETE AMP BRAZIL	USE ONLY	⚠	⚠	⚠	STRIP	748333-8
	STANDARD	⚠	⚠	⚠	LOOSE PIECE	748333-7
	STANDARD	⚠	⚠	⚠	STRIP	748333-5
	STANDARD	⚠	⚠	⚠	LOOSE PIECE	748333-4
	STANDARD	⚠	⚠	⚠	STRIP	748333-2

PACKAGING TYPE	FINISH	USE	TYPE	PART NUMBER
THIS DRAWING IS A CONTROLLED DOCUMENT.				
DIMENSIONS: INCHES		C. RICHARD 09/25/06		TE Connectivity
TOLERANCES UNLESS OTHERWISE SPECIFIED:		S. WELDON 09/25/06		
0 PLC ± .005		PRODUCT SPEC		PIN CONTACT, SIZE 22 DF, 22-28 AWG, W/.030-.040 DIA INSULATION SUPPORT
1 PLC ± .005		APPLICATION SPEC		
2 PLC ± .005		WEIGHT		SIZE CASE CODE DRAWING NO
3 PLC ± .005		FINISH		A200779C=748333
4 PLC ± .005		MATERIAL		RESTRICTED TO
ANGLES ± .5°		CUSTOMER DRAWING		SCALE 10:1 SHEET 1 of 1 REV J4