

4

3

2

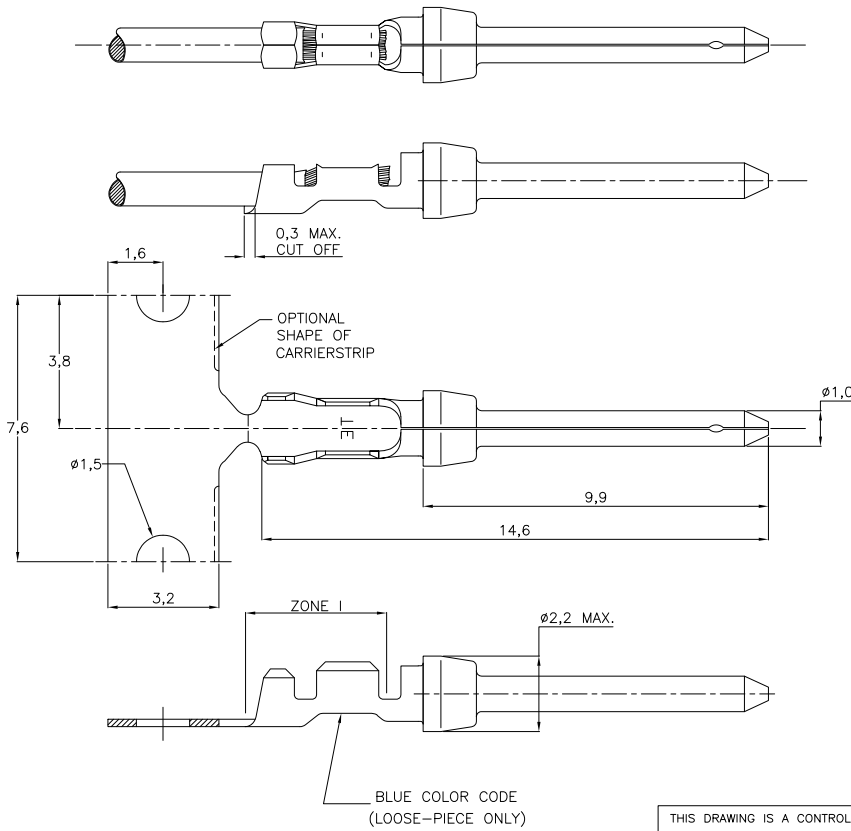
1

THIS DRAWING IS UNPUBLISHED. RELEASED FOR PUBLICATION
 © COPYRIGHT BY TYCO ELECTRONICS CORPORATION. ALL INTERNATIONAL RIGHTS RESERVED.

LOC	DIST	REVISIONS				
P	LTR	DESCRIPTION	DATE	DWN	APVD	
	W	ECR-08-023872	17-10-08	AEG	KMA	
	W1	ECR-09-016151	25-08-09	AEG	KMA	

NOTES:

- 1 FOR MINI-APPLICATOR-12500 PCS REEL.
- 2 FOR REEL-FEED HAND TOOLING-500 PCS REEL.
- 3 FOR HAND TOOLING- LOOSE PIECE.
4. MATERIAL: BRASS.
- 5 FINISH:
 - Ni UNDERPLATING ALL OVER.
 - CONTACT AREA PLATING MEETS IEC-807-3 PERFORMANCE LEVEL 2.
 - CRIMP ZONE Sn PLATED.



WIRE RANGE: 24-28 AWG(0,08-0,22mm²)
 INSUL. RANGE: 0,76 - 1,02 mm DIA.

5	166294-1	5-166054-1	166054-1
FINISH	LOOSE PIECE	PART NUMBER	PART NUMBER
DWN	-	Tyco Electronics Corporation 's-Hertogenbosch, Nederland	
CHK	K. MALCZYK 09SEP08	NAME	
APVD	T. DE BOER 09SEP08	PIN CONTACT, SIZE 20 DF.	
PRODUCT SPEC	108-40005	SIZE	CAGE CODE DRAWING NO
APPLICATION SPEC	114-10000	A3	00779 C-166054
WEIGHT	-	RESTRICTED TO	-
CUSTOMER DRAWING		SCALE	NTS SHEET 1 OF 1 REV W1

THIS DRAWING IS A CONTROLLED DOCUMENT.

DIMENSIONS:	TOLERANCES UNLESS OTHERWISE SPECIFIED:
mm	
0 PLC	± -
1 PLC	± 0,127
2 PLC	± -
3 PLC	± -
4 PLC	± -
ANGLES	± -
MATERIAL	FINISH
-	-