

4

3

2

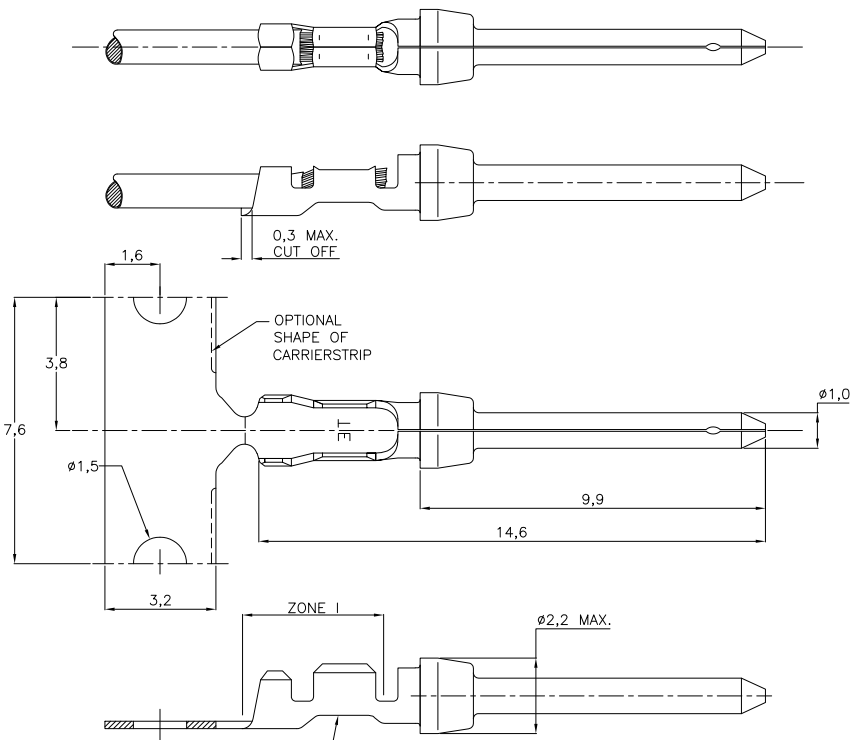
1

THIS DRAWING IS UNPUBLISHED. RELEASED FOR PUBLICATION
 © COPYRIGHT BY TYCO ELECTRONICS CORPORATION. ALL INTERNATIONAL RIGHTS RESERVED.

LOC	DIST	REVISIONS				
P	LTR	DESCRIPTION	DATE	DWN	APVD	
	Y	ECR-08-023872	17-10-08	AEG	KMA	
	Y1	ECR-09-016151	25-08-09	AEG	KMA	

NOTES:

- 1 FOR MINI-APPLICATOR-12500 PCS REEL.
- 2 FOR REEL-FEED HAND TOOLING-500 PCS REEL.
- 3 FOR HAND TOOLING- LOOSE PIECE.
- 4. MATERIAL: BRASS.
- 5 FINISH:
 - Ni UNDERPLATING ALL OVER.
 - CONTACT AREA PLATING MEETS IEC-807-3 PERFORMANCE LEVEL 2.
 - CRIMP ZONE Sn PLATED.



WIRE RANGE: 24-20 AWG(0,56-0,20mm²)
 INSUL. RANGE: 1,27 - 1,52 DIA.

5	166293-1	5-166053-1	166053-1
FINISH	LOOSE PIECE	PART NUMBER	PART NUMBER
DWN	-	Tyco Electronics Corporation	
CHK	K. MALCZYK 09SEP08	's-Hertogenbosch, Nederland	
APVD	T. DE BOER 09SEP08	NAME	
PRODUCT SPEC		PIN CONTACT, SIZE 20 DF.	
APPLICATION SPEC		RESTRICTED TO	
108-40005		SIZE	CAGE CODE DRAWING NO
114-10000		A3	00779 C-166053
WEIGHT		SCALE NTS SHEET 1 OF 1 REV Y1	
CUSTOMER DRAWING			

THIS DRAWING IS A CONTROLLED DOCUMENT.

DIMENSIONS:	TOLERANCES UNLESS OTHERWISE SPECIFIED:
mm	
0 PLC	± -
1 PLC	± 0,127
2 PLC	± -
3 PLC	± -
4 PLC	± -
ANGLES	± -

MATERIAL: - FINISH: -