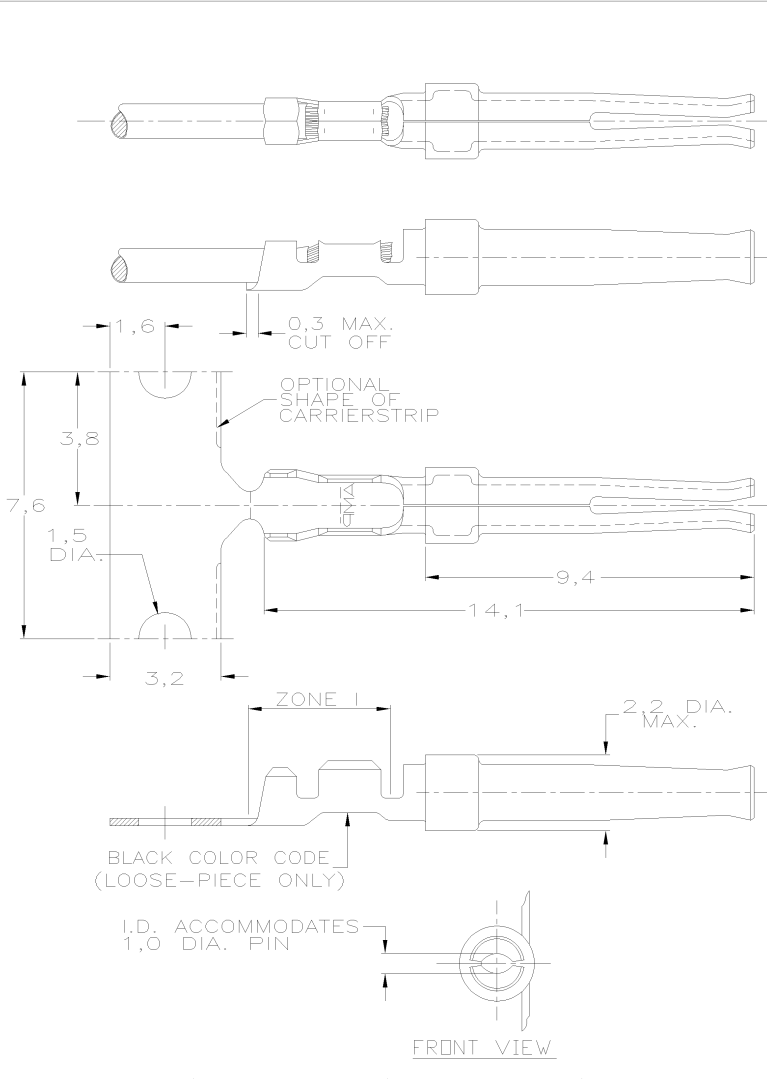


DO NOT SCALE  
DIMENSIONS IN mm

METRIC

THIRD ANGLE  
PROJECTION

REVISIONS				
LTR	DISCRPTION	DATE	DWN	APVD
G1	REVISED PER ECO-09-022424	30SEP09	KK	AEG



- NOTES:
- 1 FOR MINI-APPLICATOR CRIMPING.
  - 2 FOR STANDARD-APPLICATOR CRIMPING.
  - 3 FOR REEL-FEED HANDTOOL CRIMPING, 500 CONTACTS ON A SMALL REEL.
  - 4. MATERIAL: PHOSPHORBRONZE.
  - 5 UNDERCOATING: 1,3  $\mu$ m Ni  
SELECTIVE : 0,8  $\mu$ m Au  
REMAINDER : GOLDFLASH
  - 6 UNDERCOATING: 1,3  $\mu$ m Ni  
SELECTIVE : 0,8  $\mu$ m Au  
ZONE I : BRIGHT TIN
  - 7 UNDERCOATING: 0,8  $\mu$ m Ni  
SELECTIVE : 0,4  $\mu$ m Au  
REMAINDER : GOLDFLASH
  - 8 UNDERCOATING: 0,8  $\mu$ m Ni  
SELECTIVE : 2,0  $\mu$ m Au  
ZONE I : BRIGHT TIN
  - 9 UNDERCOATING: 1,3  $\mu$ m Ni  
SELECTIVE : 1,3  $\mu$ m Au  
REMAINDER : GOLDFLASH
  - 10 UNDERCOATING: 1,3  $\mu$ m Ni  
SELECTIVE : 2,0  $\mu$ m Au  
REMAINDER : GOLDFLASH
  - 11 UNDERCOATING: 0,8  $\mu$ m Ni  
SELECTIVE : 0,2  $\mu$ m Au  
REMAINDER : GOLDFLASH
  - 12 UNDERCOATING: 0,8  $\mu$ m Ni  
SELECTIVE : 0,2  $\mu$ m Au  
ZONE I : BRIGHT TIN

13 OBSOLETE PARTS: OBSOLETE CIS STREAMLINING PER D.RENAUD/D.SINIS

12	1-166998-3	-	-	13	<del>1-166998-3</del>
11	1-166998-2	-	-	13	<del>1-166998-2</del>
9	166998-7	-	-	13	<del>166998-7</del>
8	166998-6	-	-		166996-6
7	166998-5	-	-		166996-5
10	-	-	-		166996-4
6	166998-3	-	-		166996-3
5	166998-2	-	-		166996-2

FINISH	LOOSE-PIECE	PARTNUMBER	3	PARTNUMBER	2	PARTNUMBER	1
CUSTOMER DRAWING		<b>AMP</b>		AMP-HOLLAND B.V. 's-Hertogenbosch, The Netherlands.			
FOR REFERENCE ONLY WILL NOT BE UPDATED		THIS DRAWING IS UNPUBLISHED		RELEASED FOR PUBLICATION - 19			
DR. L.V.HEYDEN DATE 10/10/1985		WIRE RANGE 32-28 AWG (0,03-0,09 mm <sup>2</sup> )		NAME		REV. DATE	
CHK. C.V.TILBURG DATE 14-10-85		INSUL. RANGE 0,5-1,02 DIA.		SOCKET CONTACT, SIZE 20 DF.		D M Y 30 09 09	
APP. L.V.SOEST DATE 27-11-85		SIZE A3 SHEET 1 of 1		DWG. No. 166996		REV.LTR. G1	