

4

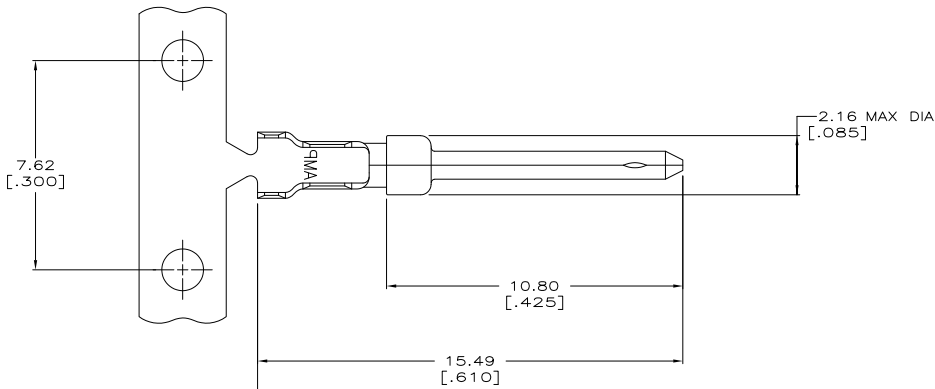
3

2

1

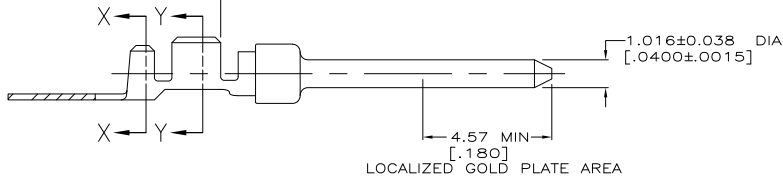
THIS DRAWING IS UNPUBLISHED. RELEASED FOR PUBLICATION
 © COPYRIGHT BY TYCO ELECTRONICS CORPORATION. ALL INTERNATIONAL RIGHTS RESERVED.

LOC	DIST	REVISIONS			
P	LTR	DESCRIPTION	DATE	MIN	APD
GP	00				
B		REVISED PER ECO-08-007460	24JUN2008	ZMR	CWR

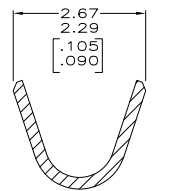


△ PLATED AS FOLLOWS:
 0.76µm [.000030] MIN GOLD IN LOCALIZED GOLD PLATE AREA, 2.54µm [.000100] MIN TIN ON TIN PLATE AREA, ALL OVER 1.27µm [.000050] MIN NICKEL UNDERPLATE.
 OR
 GOLD FLASH OVER PALLADIUM-NICKEL PLATE, 0.76µm [.000030] MIN TOTAL IN LOCALIZED GOLD PLATE AREA, 2.54µm [.000100] MIN TIN ON TIN PLATE AREA, ALL OVER 1.27µm [.000050] MIN NICKEL UNDERPLATE.

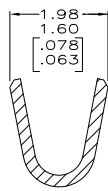
TIN PLATE AREA



LOCALIZED GOLD PLATE AREA



SECTION X-X
SCALE 20:1



SECTION Y-Y
SCALE 20:1

5786743-2
PART NO

THIS DRAWING IS A CONTROLLED DOCUMENT.		DR: G. ATTADA - 11-11-04	CHK: J. GERACE - 11-11-04	Tyco Electronics Corporation Harrisburg, PA 17105-3608	
DIMENSIONS: INCHES		APPD: M. WALSLEY - 11-11-04	PIN CONTACT, 20-24 AWG, 1.27-1.52 DIA [.050-.060] INSULATION SUPPORT, SIZE 20 DF		
TOLERANCES UNLESS OTHERWISE SPECIFIED:		PRODUCT SPEC: 108-40005	SIZE: CASE CODE: DRAWING NO: A200779C-5786743		
0 PLC ±		APPLICATION SPEC: 114-10000	RESTRICTED TO: -		
1 PLC ±		WEIGHT: -	SCALE: 10:1 SHEET: 1 of 1 REV: B		
2 PLC ± 0.13 [.005]		CUSTOMER DRAWING			
3 PLC ±					
4 PLC ±					
ANGLES ±					
FINISH: △					
MATERIAL: BRASS					