

DO NOT SCALE
DIMENSIONS IN mm

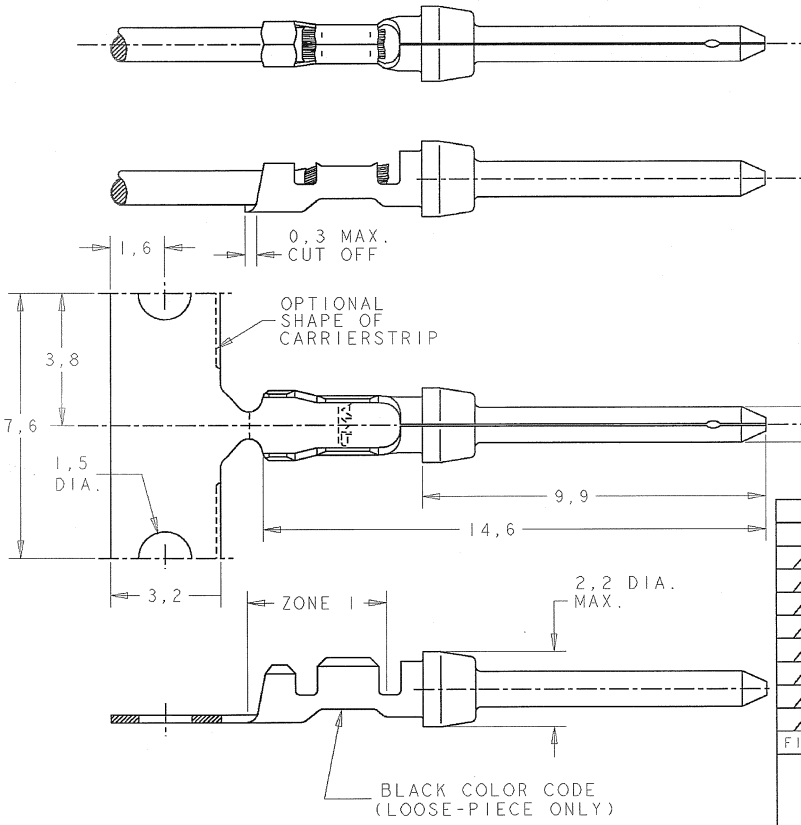
METRIC

THIRD ANGLE
PROJECTION

NOTES:

- 1 FOR MINI-APPLICATOR CRIMPING.
- 2 FOR STANDARD-APPLICATOR CRIMPING.
- 3 FOR REEL-FEED HANDTOOL CRIMPING, 500 CONTACTS ON A SMALL REEL.
- 4 MATERIAL: BRASS.
- 5 UNDERCOATING: 1,3 μ m Ni
SELECTIVE : 0,8 μ m Au
REMAINDER : GOLDFLASH
- 6 UNDERCOATING: 1,3 μ m Ni
SELECTIVE : 0,8 μ m Au
ZONE I : BRIGHT TIN
- 7 UNDERCOATING: 0,8 μ m Ni
SELECTIVE : 0,4 μ m Au
REMAINDER : GOLDFLASH
- 8 UNDERCOATING: 0,8 μ m Ni
SELECTIVE : 0,4 μ m Au
ZONE I : BRIGHT TIN
- 9 UNDERCOATING: 1,3 μ m Ni
SELECTIVE : 1,3 μ m Au
REMAINDER : GOLDFLASH
- 10 UNDERCOATING: 0,8 μ m Ni
SELECTIVE : 0,4 μ m Au
REMAINDER : GOLDFLASH
ZONE I : BRIGHT TIN
- 11 UNDERCOATING: 0,8 μ m Ni
SELECTIVE : 0,2 μ m Au
REMAINDER : GOLDFLASH
- 12 UNDERCOATING: 0,8 μ m Ni
SELECTIVE : 0,2 μ m Au
ZONE I : BRIGHT TIN

OBsolete PARTS: OBSOLETE CIS STREAMLINING PER D.RENAUD/D.SINISI



12	1-166997-3	-	-	1-166995-3
11	1-166997-2	-	-	1-166995-2
10	166997-8	-	-	166995-8
9	166997-7	-	-	166995-7
8	166997-6	-	-	166995-6
7	166997-5	-	-	166995-5
6	166997-3	-	-	166995-3
5	166997-2	-	-	166995-2
FINISH	LOOSE-PIECE	PARTNUMBER 3	PARTNUMBER 2	PARTNUMBER 1

CUSTOMER DRAWING

AMP AMP-HOLLAND B.V. 's-Hertogenbosch, The Netherlands.

THIS DRAWING IS UNPUBLISHED. RELEASED FOR PUBLICATION.

FOR REFERENCE ONLY WILL NOT BE UPDATED

© COPYRIGHT 1986 BY AMP-HOLLAND B.V. ALL INTERNATIONAL RIGHTS RESERVED. AMP PRODUCTS MAY BE COVERED BY U.S. AND FOREIGN PATENTS AND/OR PATENTS PENDING.

DR. B.MOIJ.	DATE 08-01-86	WIRE RANGE 28-32 AWG (0.93-0.98 mm ²)	NAME	REV. DATE
CHK. C.v.TILBURG.	DATE 16-01-86	INSUL RANGE 0.5-1.02 DIA.	PIN CONTACT, SIZE 20 DF.	D M Y
APP. L.v.SOEST.	DATE 18-02-86	SIZE A3	SHEET 1 OF 1	26 11 01
			DWG. No. C-166995	REV. LTR. T1

T1	REVISED PER ECO-09-028346	ZSHOV9P	KK	AEC
LTR	DESCRIPTION	DATE	OWN	APP

8 7 6 5 4 3 2 1

11-912208 8605100 AM