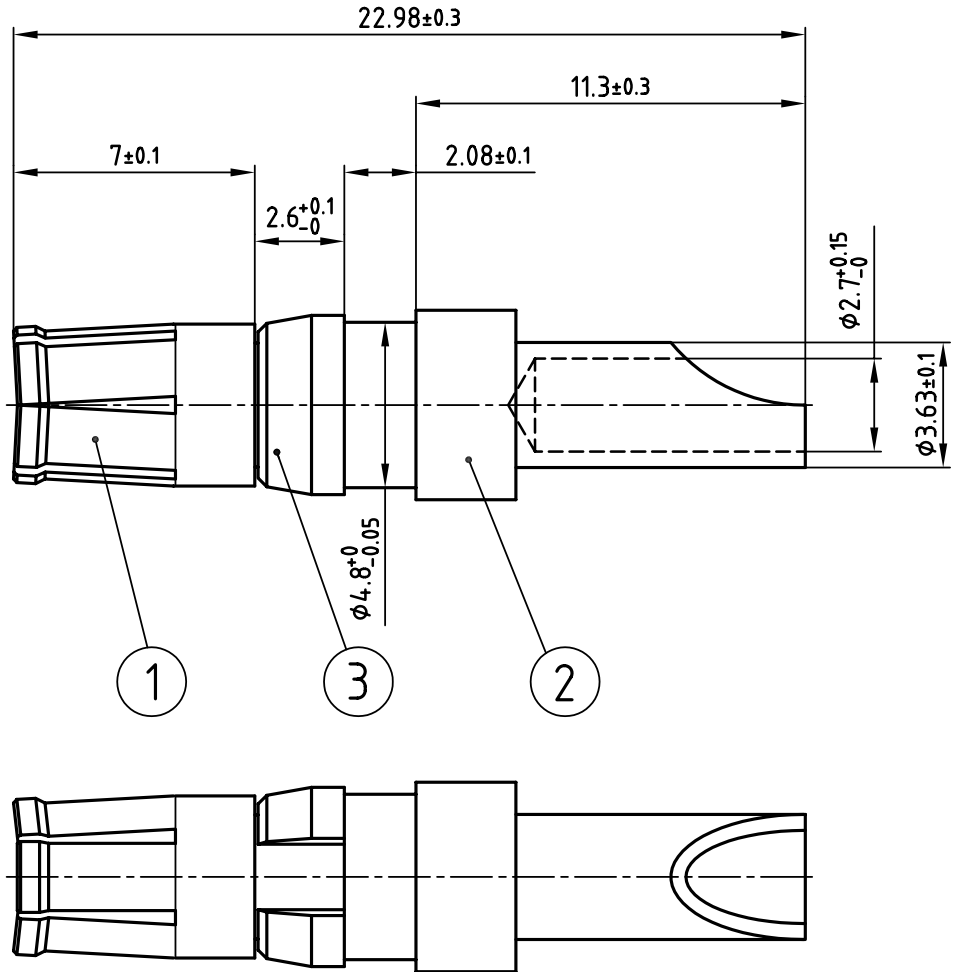




used for: D-SUB COMBINATION



<b>Plating item 1</b>	<b>Part-NO.</b>
min. 30µ" HARD GOLD OVER min. 50µ" NICKEL	132C10029X
min. 50µ" HARD GOLD OVER min. 50µ" NICKEL	132J10029X

**NOTES:**  
 1. MATERIAL: COPPER ALLOY  
 2. PLATING:  
 ITEM 1: SEE TABLE  
 ITEM 2: min. 8µ" HARD GOLD OVER min. 50µ" NICKEL  
 ITEM 3: NICKEL PLATED

Directive 2002/95/EC  
 „RoHS“  
 Compliant

THIS DRAWING MAY NOT BE COPIED OR REPRODUCED IN ANY WAY, AND MAY NOT BE PASSED ON TO A THIRD PARTY WITHOUT WRITTEN PERMISSION. OWNERSHIP AND COPYRIGHT OF CONEC GmbH DO NOT ALTER CAD DRAWING BY HAND				tolerance ISO 2768-m		scale: 5:1	material: SEE NOTES		
				1998	date	name	title: <b>HIGH POWER CONTACT FEMALE</b> SOLDER CUP 20A D-SUB COMBINATION		
				drawn	23.03.	Barcinski			
				appd.	23.03.	Mickenbecker			
				norm					
			d-old			dwg no:	CAD/ REL.13	DIN-A	
						13K11E4A	4	sh: 1/1	
rev.	description	date	name			product no:	SEE TABLE		