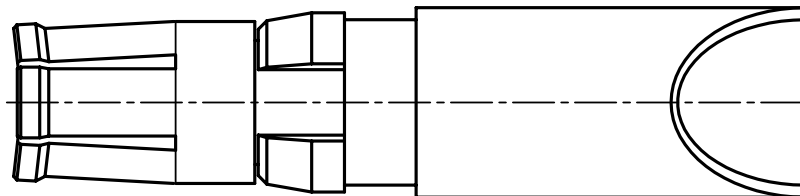
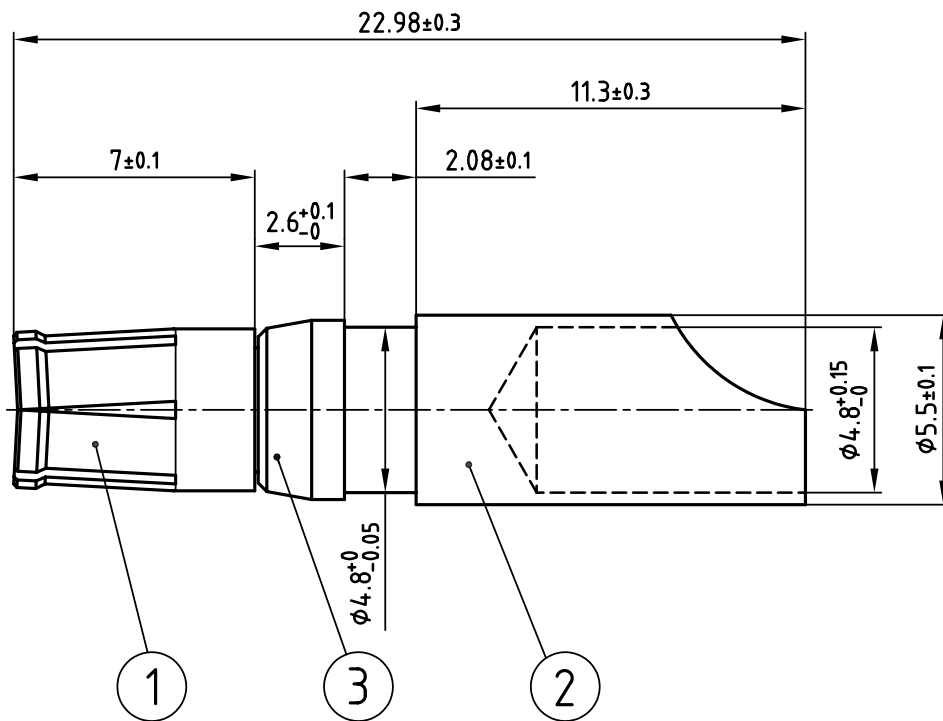


used for: D-SUB COMBINATION



NOTES:

- 1. MATERIAL: COPPER ALLOY
- 2. PLATING:
 ITEM 1: min. 30µ" HARD GOLD OVER min. 50µ" NICKEL
 ITEM 2: min. 8µ" HARD GOLD OVER min. 50µ" NICKEL
 ITEM 3: NICKEL PLATED



THIS DRAWING MAY NOT BE COPIED OR REPRODUCED IN ANY WAY, AND MAY NOT BE PASSED ON TO A THIRD PARTY WITHOUT WRITTEN PERMISSION.
 OWNERSHIP AND COPYRIGHT OF CONEC GmbH
 DO NOT ALTER CAD DRAWING BY HAND

tolerance			
1998	date	name	
drawn	23.03.	Barcinski	
appd.	23.03.	Mickenbecker	
norm			
d-old			
rev.	description	date	name

scale:	5:1		
material:	SEE NOTES		
title:	HIGH POWER CONTACT FEMALE SOLDER CUP 40A D-SUB COMBINATION		
dwg no:	AutoCAD/REL.13	DIN-A	
	13K11E6A	4	
		sh: 1/1	
part no:	132C10049X		