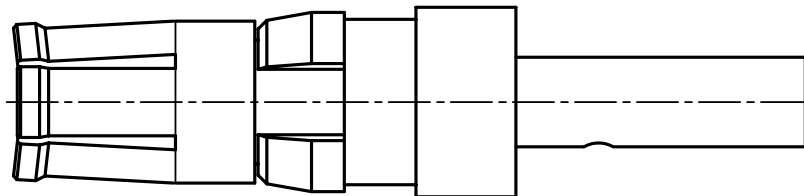
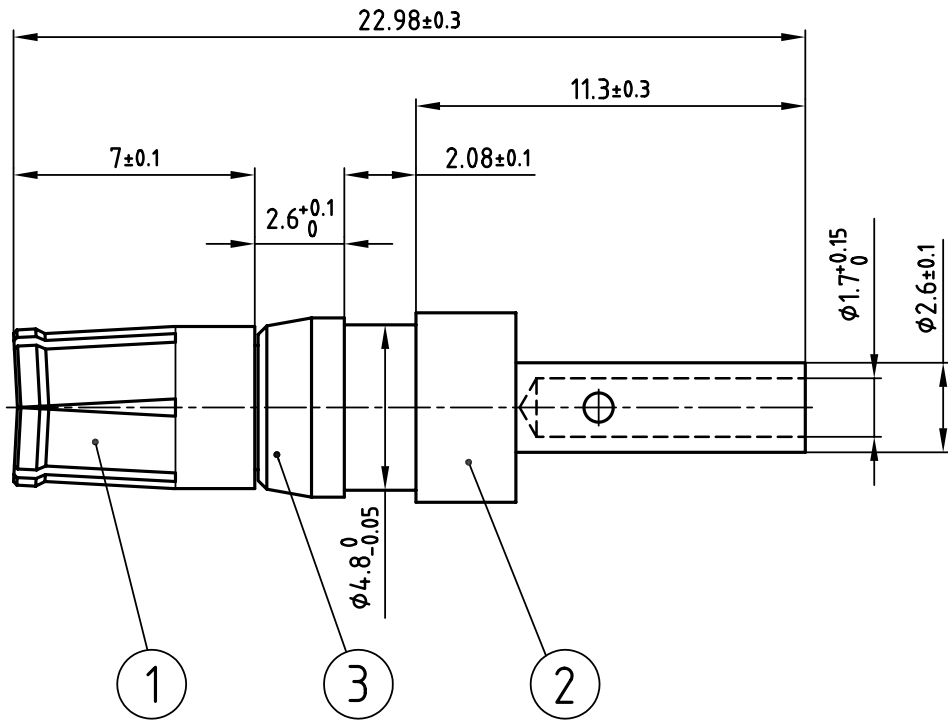


used for: D-SUB COMBINATION



NOTES:

- 1. MATERIAL: COPPER ALLOY
- 2. PLATING:
 ITEM 1: min. 30µ" HARD GOLD OVER min. 50µ" NICKEL
 ITEM 2: min. 8µ" HARD GOLD OVER min. 50µ" NICKEL
 ITEM 3: NICKEL PLATED



THIS DRAWING MAY NOT BE COPIED OR REPRODUCED IN ANY WAY, AND MAY NOT BE PASSED ON TO A THIRD PARTY WITHOUT WRITTEN PERMISSION. OWNERSHIP AND COPYRIGHT OF CONEC GmbH DO NOT ALTER CAD DRAWING BY HAND	tolerance			scale: 5:1		
	ISO 2768-m			material: SEE NOTES		
	1998	date	name		title: HIGH POWER CONTACT FEMALE CRIMP VERSION 10A D-SUB COMBINATION	
	drawn	23.03.	Barcinski			
	appd.	23.03.	Mickenbecker			
norm						
d-old		SK211H20		dwg no: CAD/ REL.13 DIN-A		
		product no: 132C11019X		4 sh: 1/1		
				13K11E7A		