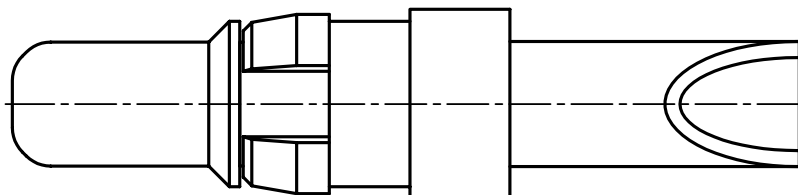
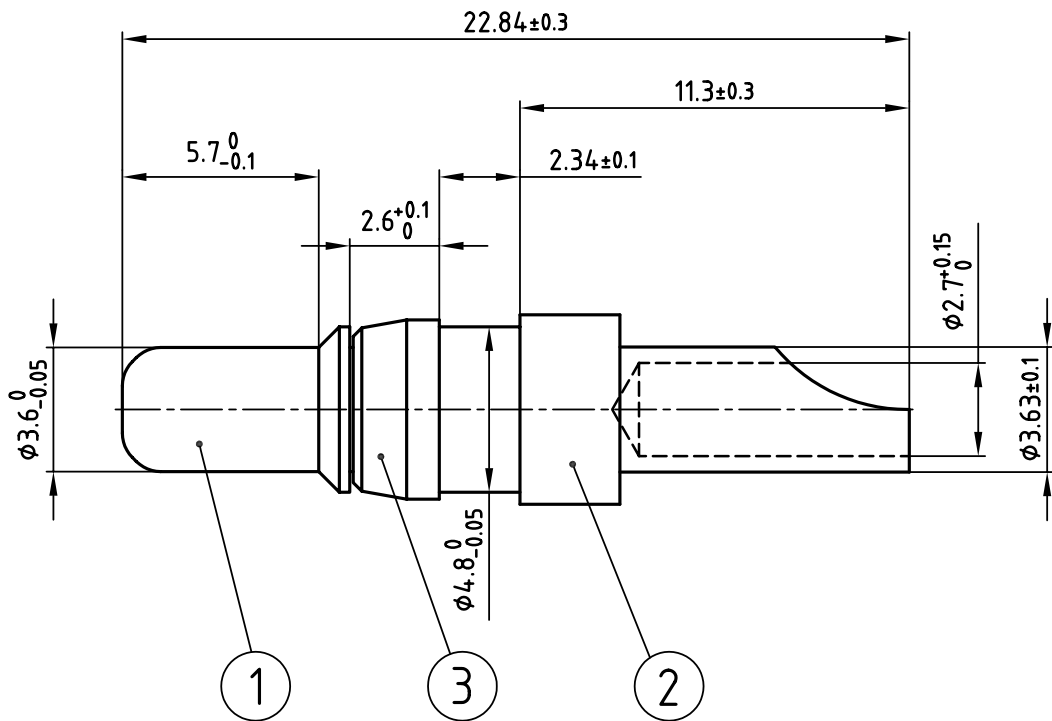


used for: D-SUB COMBINATION



**NOTES:**

- 1. MATERIAL: COPPER ALLOY
- 2. PLATING:  
ITEM 1: min. 30µ" HARD GOLD OVER min. 50µ" NICKEL  
ITEM 2: min. 8µ" HARD GOLD OVER min. 50µ" NICKEL  
ITEM 3: NICKEL PLATED



THIS DRAWING MAY NOT BE COPIED OR REPRODUCED IN ANY WAY, AND MAY NOT BE PASSED ON TO A THIRD PARTY WITHOUT WRITTEN PERMISSION. OWNERSHIP AND COPYRIGHT OF CONEC GmbH DO NOT ALTER CAD DRAWING BY HAND

tolerance		ISO 2768-m			
1998	date	name			
drawn	23.03.	Barcinski			
appd.	23.03.	Mickenbecker			
norm					
d-old					
rev.	description	date	name		

scale:		5:1	
material:		SEE NOTES	
title:			
<b>HIGH POWER CONTACT MALE</b> SOLDER CUP 20A D-SUB COMBINATION			
dwg no:		CAD/ REL.13	DIN-A
		4	
		sh: 1/1	
product no:		131C10029X	

4

3

2

1