

4

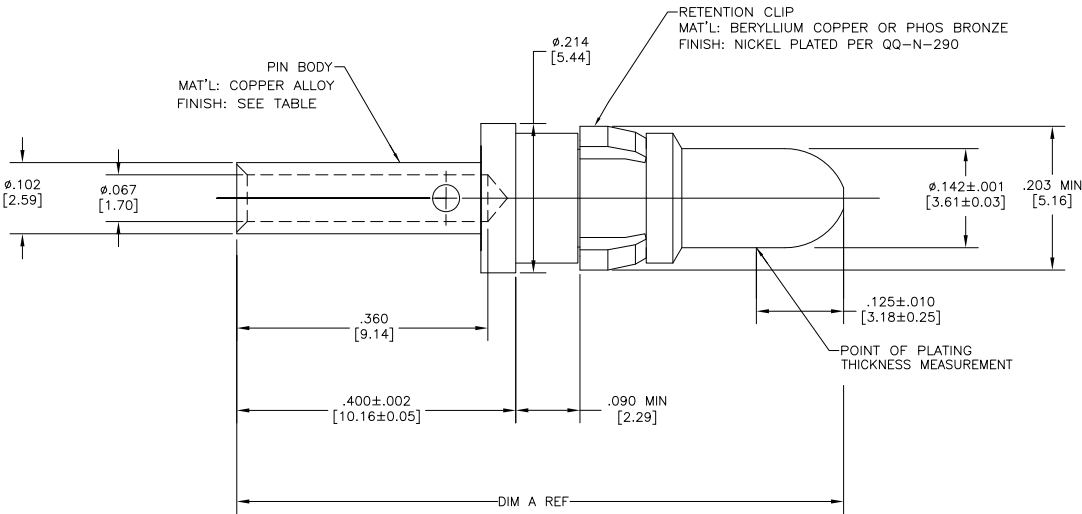
3

2

1

THIS DRAWING IS UNPUBLISHED. RELEASED FOR PUBLICATION  
 © COPYRIGHT BY TYCO ELECTRONICS CORPORATION. ALL RIGHTS RESERVED.

LOC	DIST	REVISIONS		
P	LR	DESCRIPTION	DATE	BY
J		REV PER ECO 09-011649	5-13-09	CT RL



- THIS PART CONFORMS TO REQUIREMENTS FOR DANIELS CRIMP TOOL NO. FT8, WITH DANIELS POSITIONER PART NO. TP731, STRIP LENGTH .375, #16 AWG SETTING 8, #18 AWG SETTING 6.
- MATES WITH 212014-1 IN AMPLIMITE CONNECTOR ASSEMBLIES ONLY.
- FINISH: PLATED GOLD .000050 [0.00127] MIN THK PER MIL-G-45204 OVER NICKEL .000050 [0.00127] MIN THK PER QQ-N-290.
- FINISH: PLATED GOLD .000030 [0.00076] MIN THK PER MIL-G-45204 OVER NICKEL .000050 [0.00127] MIN THK PER QQ-N-290.
- WIRE BARREL WILL ACCEPT #16-#18 AWG WIRE.
- NOT FOR GENERAL DISTRIBUTION; ONLY TO BE USED IN IBM BLUE GENE CONNECTOR ASSEMBLIES.

PRELIMINARY- NOT RELEASED FOR PRODUCTION	.948 [24.08]	△6	△3	212013-3
PRELIMINARY- NOT RELEASED FOR PRODUCTION	.870 [22.10]	△2	△4	212013-2
	.870 [22.10]	△2	△3	212013-1
	DIM A	REMARKS	FINISH	PART NUMBER

THIS DRAWING IS A CONTROLLED DOCUMENT.		DR: C. THOMAS 11/10/00	Tyco Electronics Corporation Harrisburg, Pa 17105-3608	
DIMENSIONS: INCHES		CHK: D. MILLER 11/10/00	Tyco Electronics	
TOLERANCES UNLESS OTHERWISE SPECIFIED:		APP: D. MILLER 11/10/00	ASSEMBLY PIN CONTACT POWER VIII, #16 & #18 AWG	
Ø FRC ± .005		PRODUCT SPEC: 108-10045	RESTRICTED TO	
Ø FRC ± .005 (0.15)		APPLICATION SPEC: 114-10014	SIZE: A2	CAGE CODE: 00779
Ø FRC ± .005		HEIGHT: -	DRAWING NO: C=212013	
H. ANGLES ± .005		REMARKS: CUSTOMER DRAWING	SCALE: 10:1	
FINISH: SEE TABLE		SHEET 1 OF 1 REV J		

AMP 1471-9 REV 31MM0200

13MAY2009 us016412 H:\docmod\212013\_1\_e.dwg

212013-1

A