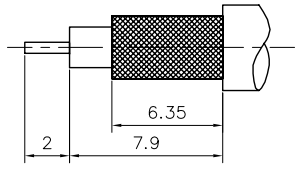
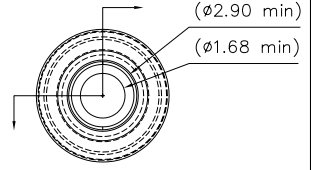
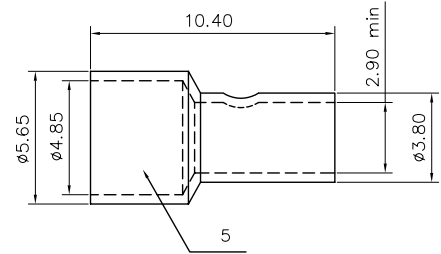
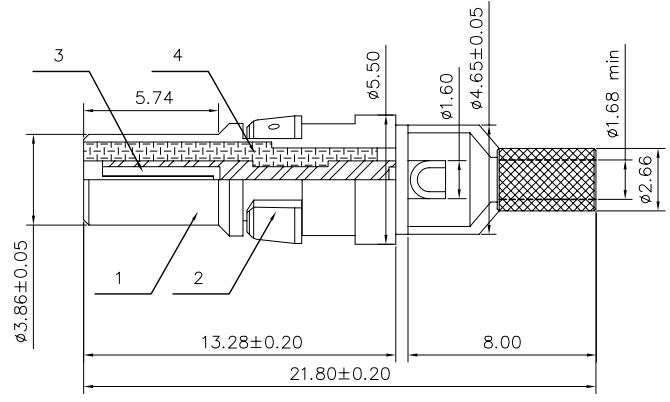


This document is the property of Amphenol Corporation and is delivered on the express condition that it is not to be disclosed, reproduced or used, in whole or in part, for manufacture or sale by anyone other than Amphenol Corporation without its prior consent. It and no right is granted to disclose or to use any information in this document.

REVISIONS				
SYM	ECN	DESCRIPTION	DATE	APPROVED
1			11/05/08	



Trim cable

MECHANICAL

- 1. Materials: refer to the table
- 2. Finish: refer to the table

ELECTRICAL :

- Impedance: 50 Ohms Nominal
- Frequency Range: 0 to 2.0 GHz
- Insulation Resistance: 5000 Megaohms Minimum
- Contact Resistance: (Milliohms maximum)
- Center Contact: 5.0
- Outer Contact: 3.0
- Voltage Standing Wave Ratio: 0 to 2.0 GHz



ENVIRONMENTAL

Operating Temperature range : -55 °C up to +125°C

5	ferrule	brass, gold over 50u" min. nickel
4	insulator	PTFE, Color white
3	center contact	phosphor bronze, 30u" min. gold over 50u" min. nickel
2	ring	thermoplastic, Color black
1	outer contact	brass, gold over 50u" min. nickel
Sequence	Material	Remark

UNLESS OTHERWISE SPECIFIED	APPROVAL	DATE	Amphenol®
TOLERANCES	DRAWN Mary.ma	11/05/08	
U.S. METRIC	CHECKED tk.wang	11/05/08	
X +/- 0.20			SIZE DRAWING NO. A4 4W00010C-L17DM53740-5001
.XX +/- 0.10			
.XXX +/- 0.05			SCALE NONE
FRACTIONS +/-			
ANGLES +/- 2°			SHEET 1 OF 1
FOR MATERIALS AND FINISHES SEE NOTES			
REMOVE SHARP EDGES			
DIMENSIONS			
U.S. INCHES			
METRIC MM			

