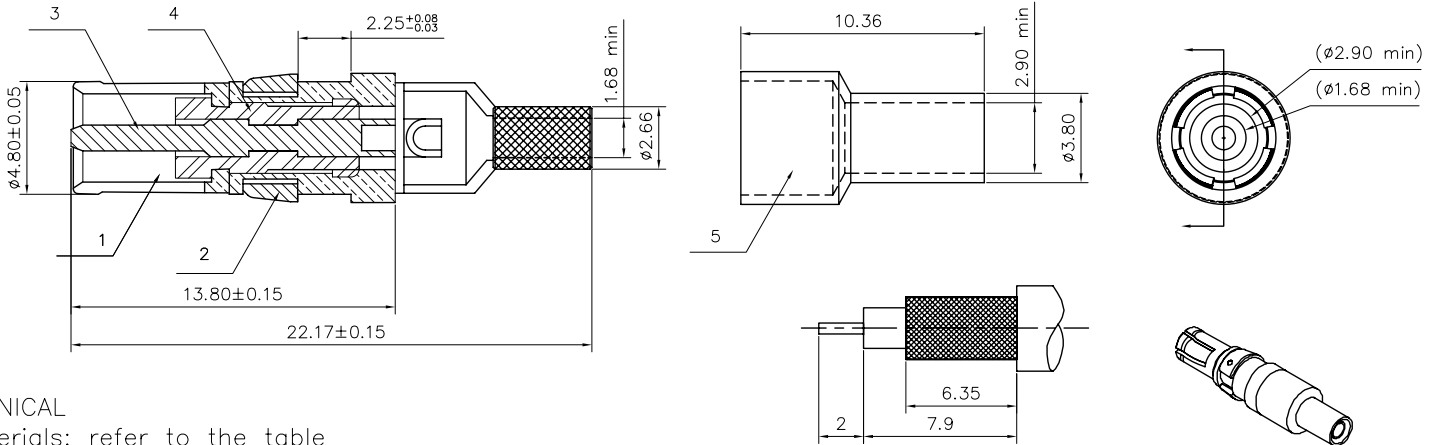


This document is the property of Amphenol Corporation and is delivered on the express condition that it is not to be disclosed, reproduced or used, in whole or in part, for manufacture or sale by anyone other than Amphenol Corporation without its prior consent. All right is granted to disclose or to use any information in this document.

# Customer drawing

REVISIONS				
SYM	ENH	DESCRIPTION	DATE	APPROVED
1			09/05/08	



## MECHANICAL

1. Materials: refer to the table
2. Finish: refer to the table

## ELECTRICAL :

- Impedance: 50 Ohms Nominal
- Frequency Range: 0 to 5.0 GHz
- Insulation Resistance: 5000 Megaohms Minimum
- Contact Resistance: (Milliohms maximum)
- Center Contact: 5.0
- Outer Contact: 3.0
- Voltage Standing Wave Ratio: 0 to 5.0 GHz

## ENVIRONMENTAL

- Operating Temperature range : -55 °C up to +125°C
- Vibration: MIL-STD-202, Method 204, Test Condition D
- Shock: MIL-STD-202, Method 213, Test Condition I
- Corrosion Resistance: MIL-STD-202, Method 101, Test Condition B



Trim cable

5	ferrule	brass, gold over 50u" min. nickel
4	insulator	PTFE, Color white
3	center contact	phosphor bronze, 30u" min. gold over 50u" min. nickel
2	ring	thermoplastic, Color black
1	outer contact	brass, gold over 50u" min. nickel
Sequence	Material	Remark

UNLESS OTHERWISE SPECIFIED TOLERANCES		APPROVAL	DATE	Amphenol®
U.S.	METRIC	DRAWN	09/05/08	
.X	+/- 0.20	CHECKED	Mary.ma 09/05/08	TITLE Straight shielded contacts ferrule
.XX	+/- 0.10	CHECKED	tk.wang 09/05/08	
.XXX	+/- 0.05			
FRACTIONS	+/-			
ANGLES	+/-			
FOR MATERIALS AND FINISHES SEE NOTES		DRAWING FILE :		
REMOVE SHARP EDGES		ANGLE OF PROJECTION		
DIMENSIONS		SCALE		
U.S. INCHES		NONE		
METRIC MM		1		
		SIZE		
		A4		
		DRAWING NO.		
		C L17DM53742-5001		
		SCALE		
		NONE		
		SHEET 1 OF 1		
		REV.		
		1		