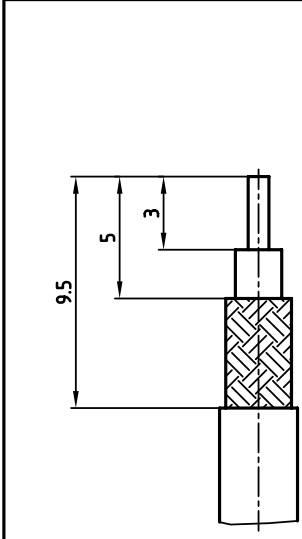
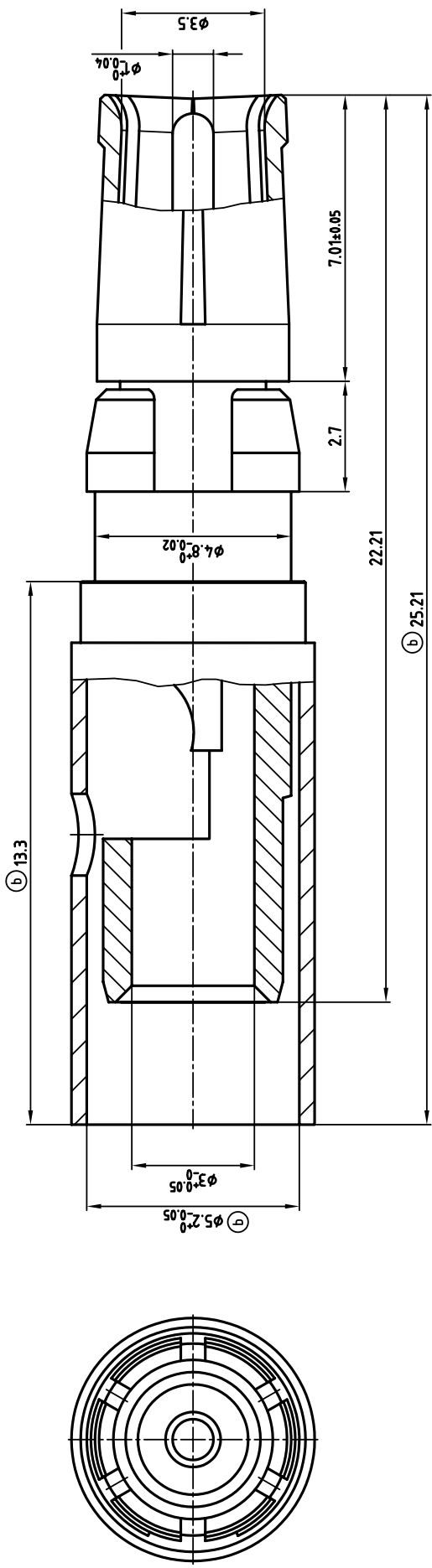


used for: D-SUB COMBINATION



(b) STRIPPING DIMENSIONS



APPROVAL # FREIGABE # DEBLOCKAGE # AUTORIZACION # APPROVAL	
CUSTOMER APPROVAL DATE:	TITLE:
NAME:	COMPANY NAME:
APPROVAL # FREIGABE # DEBLOCKAGE # AUTORIZACION # APPROVAL	

THIS DRAWING MAY NOT BE COPIED OR REPRODUCED IN ANY WAY, AND MAY NOT BE PASSED ON TO A THIRD PARTY WITHOUT WRITTEN PERMISSION.
OWNERSHIP AND COPYRIGHT OF CONEC GMBH

rev.	description	date	name
4, x, b	A. 2601	13.11.2006	Lehmann
a	Origin		

tolerance		name	
2005	date	16.11.	Lehmann
drawn	date	16.11.	Mickelbacher
appl.	norm.		
d-old			

scale: 10:1
material:

title: **COAXIAL CONTACT SOCKET 50 OHM**
inner conductor for solder termination
outer conductor for crimp or solder termination
dwg no: 13K2A029A
AutoCAD 2004
DIN-A 3
ish: 1/1
part no: 132J20049X

