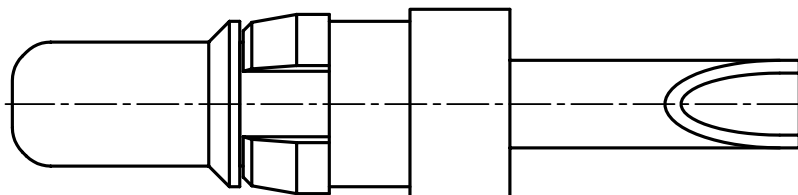
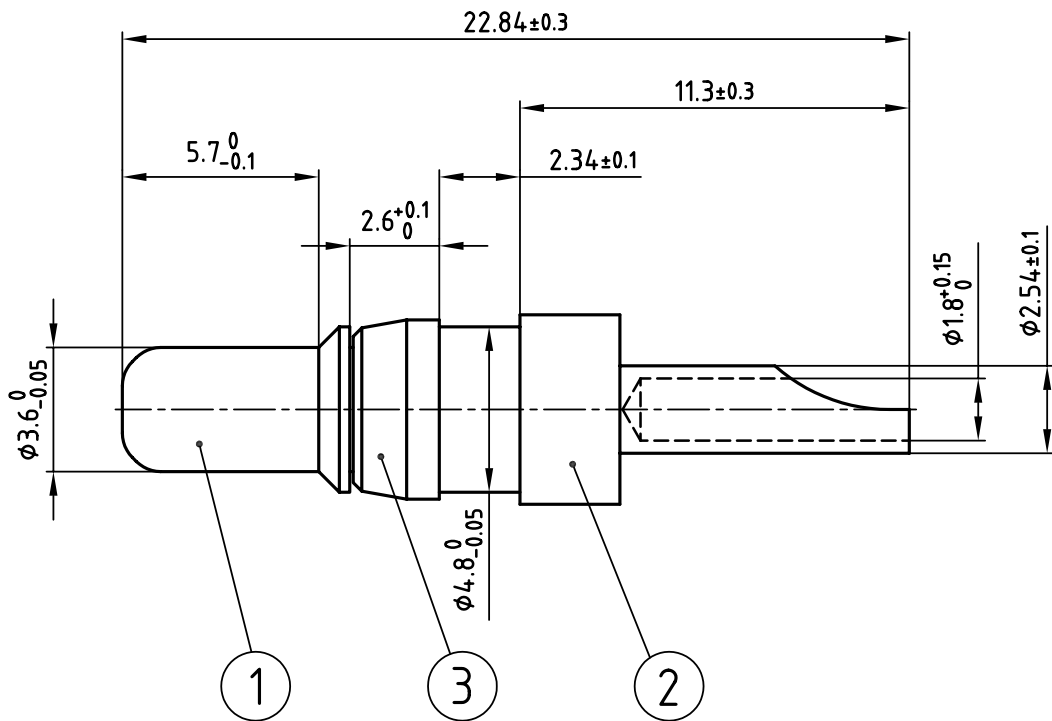


used for: D-SUB COMBINATION



NOTES:

- 1. MATERIAL: COPPER ALLOY
- 2. PLATING:
 ITEM 1: min. 30µ" HARD GOLD OVER min. 50µ" NICKEL
 ITEM 2: min. 8µ" HARD GOLD OVER min. 50µ" NICKEL
 ITEM 3: NICKEL PLATED



THIS DRAWING MAY NOT BE COPIED OR REPRODUCED IN ANY WAY, AND MAY NOT BE PASSED ON TO A THIRD PARTY WITHOUT WRITTEN PERMISSION. OWNERSHIP AND COPYRIGHT OF CONEC GmbH DO NOT ALTER CAD DRAWING BY HAND

tolerance		ISO 2768-m			
1998	date	name		title: HIGH POWER CONTACT MALE SOLDER CUP 10A D-SUB COMBINATION	
drawn	23.03.	Barcinski			
appd.	23.03.	Mickenbecker			
norm					
d-old		SK211H08			
rev.	description	date	name	dwg no: CAD/ REL.13 DIN-A 13K11C7A sh: 1/1	
product no:				131C10019X	