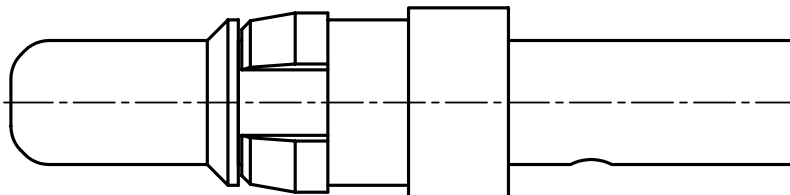
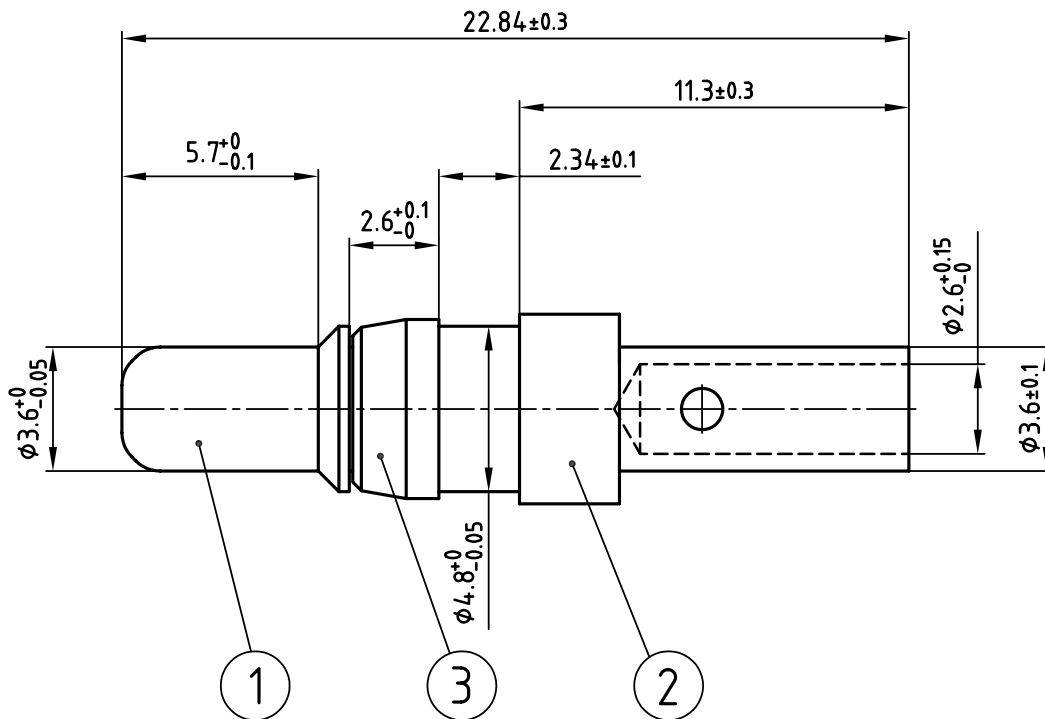


used for: D-SUB COMBINATION



NOTES:

- 1. MATERIAL: COPPER ALLOY
- 2. PLATING:
 ITEM 1: min. 30µ" HARD GOLD OVER min. 50µ" NICKEL
 ITEM 2: min. 8µ" HARD GOLD OVER min. 50µ" NICKEL
 ITEM 3: NICKEL PLATED

Directive 2002/95/EC
 „RoHS“
 Compliant

THIS DRAWING MAY NOT BE COPIED OR REPRODUCED IN ANY WAY, AND MAY NOT BE PASSED ON TO A THIRD PARTY WITHOUT WRITTEN PERMISSION.
 OWNERSHIP AND COPYRIGHT OF CONEC GmbH
 DO NOT ALTER CAD DRAWING BY HAND

tolerance				scale:	5:1
				material:	SEE NOTES
1998	date	name		HIGH POWER CONTACT MALE CRIMP VERSION 20A D-SUB COMBINATION	
drawn	23.03.	Barcinski			
appd.	23.03.	Mickenbecker			
norm					
d-old				dwg no: AutoCAD/REL.13 DIN-A	
				4	
				sh: 1/1	
rev.	description	date	name		
				part no: 13K11D2A	
				part no: 131C11029X	