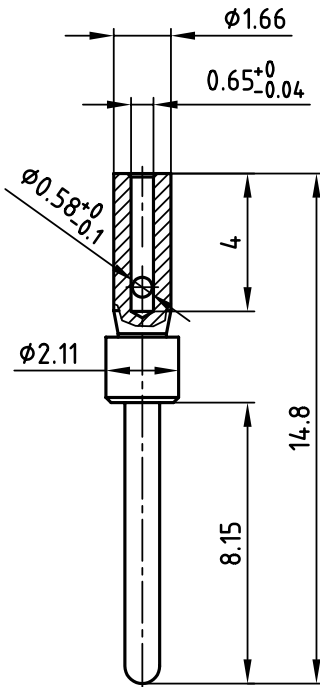


used for: D-SUB



APPROVAL # FREIGABE # DEBLOCAGE # AUTORIZACION # APPROVAL	
CUSTOMER APPROVAL DATE:	
NAME:	TITLE:
COMPANY NAME:	
APPROVAL # FREIGABE # DEBLOCAGE # AUTORIZACION # APPROVAL	



**Notes:**

- Material: brass
- Finish: hard-gold-plated in the contact area
- Temperature range: -55°C to +125°C
- Rated current: 5.0A
- Contact resistance: <= 10mOhm

THIS DRAWING MAY NOT BE COPIED OR REPRODUCED IN ANY WAY, AND MAY NOT BE PASSED ON TO A THIRD PARTY WITHOUT WRITTEN PERMISSION.  
 OWNERSHIP AND COPYRIGHT OF CONEC GmbH  
 DO NOT ALTER CAD DRAWING BY HAND

tolerance		dim. in mm
2003	date	
drawn	04.06.	name
appd.	10.06.	Kühle
norm		
d-old		
rev.	description	date
		name

scale:	5:1	
material:	SEE NOTES	
title:	<b>CRIMP PLUG CONTACT</b> screw machined version accepts cable AWG 28-24	
dwg no:	AutoCAD 2000	DIN-A
	16K1A968	4
		sh: 1/1
part no:	161A18309X	