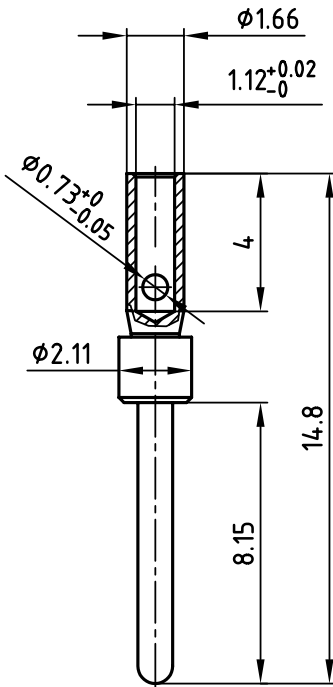


used for: D-SUB



Directive 2002/95/EC
"RoHS"
Compliant

APPROVAL # FREIGABE # DEBLOCAGE # AUTORIZACION # APPROVAL	
CUSTOMER APPROVAL DATE:	
NAME:	TITLE:
COMPANY NAME:	
APPROVAL # FREIGABE # DEBLOCAGE # AUTORIZACION # APPROVAL	

Notes:

Material: brass
 Finish: 8µ" hard-gold-plated in the contact area
 Temperature range: -55°C to +125°C
 Rated current: 7.5A
 Contact resistance: <= 10mOhm

THIS DRAWING MAY NOT BE COPIED OR REPRODUCED IN ANY WAY, AND MAY NOT BE PASSED ON TO A THIRD PARTY WITHOUT WRITTEN PERMISSION.
 OWNERSHIP AND COPYRIGHT OF CONEC GmbH
 DO NOT ALTER CAD DRAWING BY HAND

tolerance		dim. in mm	
2006	date	name	
drawn	08.02.	Lehmenkühler	
appd.	08.02.	Mickenbecker	
norm			
d-old			
a	Origin		
rev.	description		
	date		name

scale:	5:1	
material:	SEE NOTES	
title:	CRIMP PLUG CONTACT screw machined version accepts cable AWG 24-20	
dwg no:	AutoCAD 2004	DIN-A
	16K1A1743	4
		sh: 1/1
part no:	161A18299X	

4

3

2

1