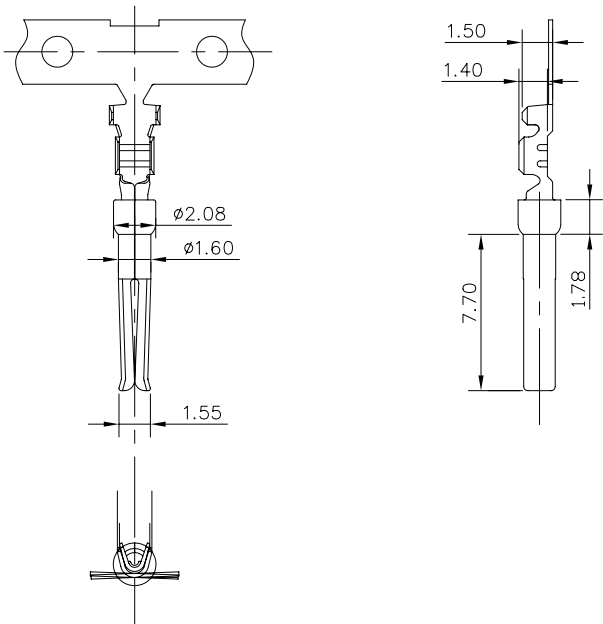


This document is the property of Amphenol Corporation and is delivered on the express condition that it is not to be disclosed, reproduced or used, in whole or in part, for manufacture or sale by anyone other than Amphenol Corporation without the prior consent, & that no right is granted to disclose or to use any information in this document.

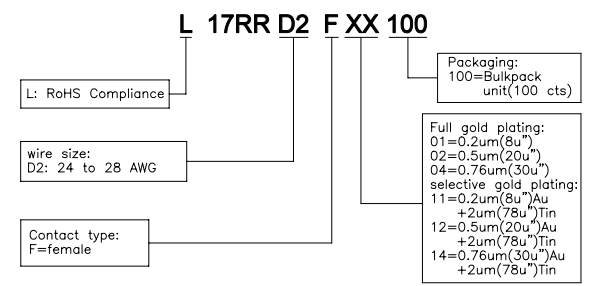


REVISIONS				
SYM	ECN	DESCRIPTION	DATE	APPROVED
1			05/15/07	

D-SUB TECHNICAL DATA

CONTACTS:
 Material: Phosphor Bronze
 Finish: gold flash on mating area
 tin over nickel on solder area
 Contact current rating: 3A
 Contact resistance: 20 mOhms max.

PRODUCT CODE



Customer drawing

UNLESS OTHERWISE SPECIFIED TOLERANCES U.S. METRIC .X +/- 0.50 .XX +/- 0.30 .XXX +/- 0.20 FRACTIONS +/- ANGLES +/- 2° FOR MATERIALS AND FINISHES SEE NOTES REMOVE SHARP EDGES DIMENSIONS U.S. INCHES METRIC MM	APPROVAL DRAWN <i>BWJ</i> May 15, 08 CHECKED <i>ERIC</i> May 15, 08 CHECKED		DATE May 15, 08	Amphenol® TITLE Crimping contact , 24 to 28 AWG, Female.
	DRAWING FILE :		SIZE DRAWING NO. A4 C L17RRD2FXX100	
SCALE NONE			SHEET 1 OF 1	