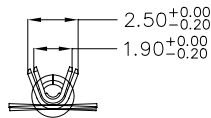
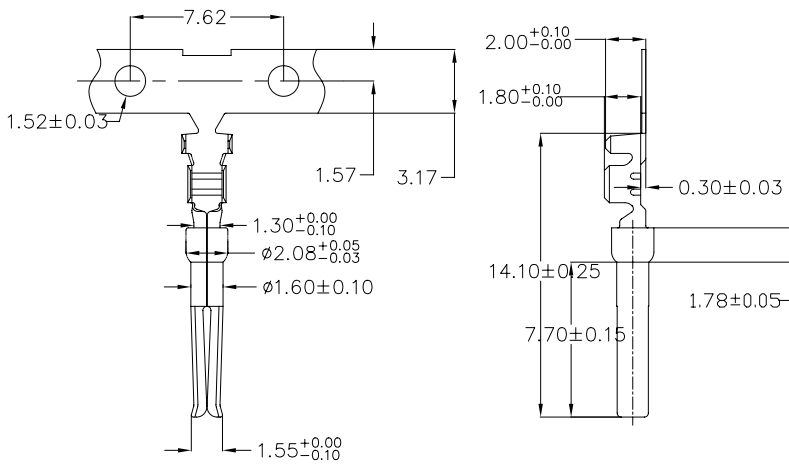


This document is the property of Amphenol Corporation and is delivered on the express condition that it is not to be disclosed, reproduced or used, in whole or in part, for manufacture or sale by anyone other than Amphenol Corporation without its prior consent, & that no right is granted to disclose or to use any information in this document.



Customer drawing

REVISIONS				
SYM	ECN	DESCRIPTION	DATE	APPROVED
1			03/04/09	

D-SUB TECHNICAL DATA

CONTACTS:

- Material: Phosphor Bronze
- Finishes: gold flash on mating area
- Contact current rating: 3A
- Contact resistance: 20 mOhms max.

PRODUCT CODE

L 17 RR D1 F 01 100

L: RoHS Compliance

Wire size:  
D1=20 to 24 AWG

Contact type:  
F=female

Packaging:  
100=bulkpack unit  
(100cts)

Full gold plating:  
01=gold flash

UNLESS OTHERWISE SPECIFIED TOLERANCES	APPROVAL		DATE
	DRAWN	Rev'n	03/04/09
.X +/-	0.50	CHECKED	ERIC
.XX +/-	0.30	CHECKED	ERIC
.XXX +/-	0.20		
FRACTIONS +/-			
ANGLES +/-	2°		
FOR MATERIALS AND FINISHES SEE NOTES	DRAWING FILE :		
REMOVE SHARP EDGES	ANGLE OF PROJECTION		
DIMENSIONS	SIZE DRAWING NO.		
U.S. INCHES	A4	C	L17RRDFF11100
METRIC MM	SCALE	NONE	SHEET 1 OF 1
			REV. 1

Amphenol®

TITLE  
D-sub, crimping housing  
20-24AWG, Female

SCALE NONE SHEET 1 OF 1