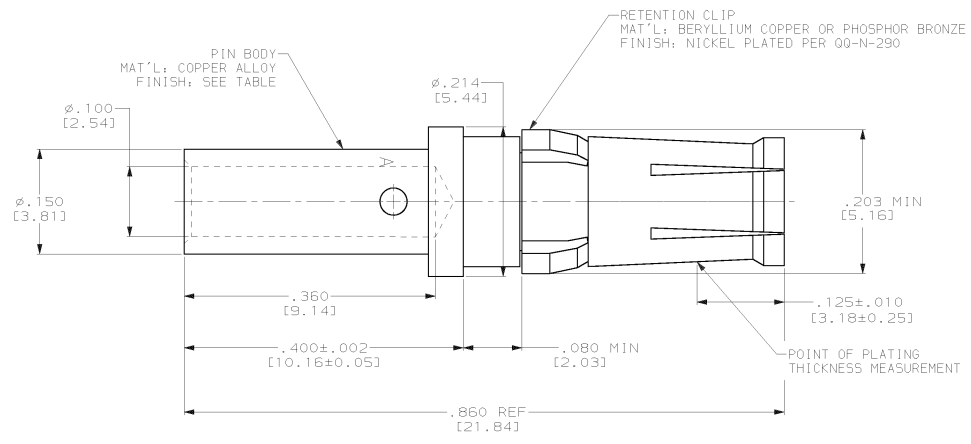


4 3 2 1

THIS DRAWING IS UNCLASSIFIED  
 (C) COPYRIGHT 19 BY AMP INCORPORATED. ALL RIGHTS RESERVED.

LOC	QTY	REV	DESCRIPTION	DATE	BY	APPD
DF	D0					
F	LTR					
H	REV PER	063D-0520-00		7-03	CT	DM



- THIS PART CONFORMS TO REQUIREMENTS FOR DANIELS CRIMP TOOL NO. M300-B1, WITH DANIELS POSITIONER PART NO. 5P689, STRIP LENGTH .375, SETTING #1.
- MATES WITH 212007-1 IN AMPLIMITE CONNECTOR ASSEMBLIES ONLY.
- FINISH: PLATED GOLD .000050 [0.00127] MIN THK PER MIL-G-45204 OVER NICKEL .000050 [0.00127] MIN THK PER QQ-N-290.
- FINISH: PLATED GOLD .000030 [0.00076] MIN THK PER MIL-G-45204 OVER NICKEL .000050 [0.00127] MIN THK PER QQ-N-290.
- WIRE BARREL WILL ACCEPT #12-#14 AWG WIRE.

PRELIMINARY NOT RELEASED FOR PRODUCTION		212008-2
		212008-1
FINISH		PART NUMBER
THIS DRAWING IS A CONTROLLED DOCUMENT DWG: C. C. THOMAS 11/10/00 CHK: D. MILLER 11/10/00 DATE: 11/10/00 PRODUCT SPEC: 108-10045 APPLICATION SPEC: 114-10014 HEIGHT: - SEE CALLOUTS SEE TABLE CUSTOMER DRAWINGS		
DIMENSIONS INCHES (mm) DIMENSIONS IN MILLIMETERS 0 PLC ±.0005 1 PLC ±.0005 TO .131 2 PLC ±.0005 TO .131 3 PLC ±.0005 TO .131 4 PLC ±.0005 TO .131 5 PLC ±.0005 TO .131 6 PLC ±.0005 TO .131 7 PLC ±.0005 TO .131 8 PLC ±.0005 TO .131 9 PLC ±.0005 TO .131 10 PLC ±.0005 TO .131 11 PLC ±.0005 TO .131 12 PLC ±.0005 TO .131 13 PLC ±.0005 TO .131 14 PLC ±.0005 TO .131 15 PLC ±.0005 TO .131 16 PLC ±.0005 TO .131 17 PLC ±.0005 TO .131 18 PLC ±.0005 TO .131 19 PLC ±.0005 TO .131 20 PLC ±.0005 TO .131 21 PLC ±.0005 TO .131 22 PLC ±.0005 TO .131 23 PLC ±.0005 TO .131 24 PLC ±.0005 TO .131 25 PLC ±.0005 TO .131 26 PLC ±.0005 TO .131 27 PLC ±.0005 TO .131 28 PLC ±.0005 TO .131 29 PLC ±.0005 TO .131 30 PLC ±.0005 TO .131 31 PLC ±.0005 TO .131 32 PLC ±.0005 TO .131 33 PLC ±.0005 TO .131 34 PLC ±.0005 TO .131 35 PLC ±.0005 TO .131 36 PLC ±.0005 TO .131 37 PLC ±.0005 TO .131 38 PLC ±.0005 TO .131 39 PLC ±.0005 TO .131 40 PLC ±.0005 TO .131 41 PLC ±.0005 TO .131 42 PLC ±.0005 TO .131 43 PLC ±.0005 TO .131 44 PLC ±.0005 TO .131 45 PLC ±.0005 TO .131 46 PLC ±.0005 TO .131 47 PLC ±.0005 TO .131 48 PLC ±.0005 TO .131 49 PLC ±.0005 TO .131 50 PLC ±.0005 TO .131 51 PLC ±.0005 TO .131 52 PLC ±.0005 TO .131 53 PLC ±.0005 TO .131 54 PLC ±.0005 TO .131 55 PLC ±.0005 TO .131 56 PLC ±.0005 TO .131 57 PLC ±.0005 TO .131 58 PLC ±.0005 TO .131 59 PLC ±.0005 TO .131 60 PLC ±.0005 TO .131 61 PLC ±.0005 TO .131 62 PLC ±.0005 TO .131 63 PLC ±.0005 TO .131 64 PLC ±.0005 TO .131 65 PLC ±.0005 TO .131 66 PLC ±.0005 TO .131 67 PLC ±.0005 TO .131 68 PLC ±.0005 TO .131 69 PLC ±.0005 TO .131 70 PLC ±.0005 TO .131 71 PLC ±.0005 TO .131 72 PLC ±.0005 TO .131 73 PLC ±.0005 TO .131 74 PLC ±.0005 TO .131 75 PLC ±.0005 TO .131 76 PLC ±.0005 TO .131 77 PLC ±.0005 TO .131 78 PLC ±.0005 TO .131 79 PLC ±.0005 TO .131 80 PLC ±.0005 TO .131 81 PLC ±.0005 TO .131 82 PLC ±.0005 TO .131 83 PLC ±.0005 TO .131 84 PLC ±.0005 TO .131 85 PLC ±.0005 TO .131 86 PLC ±.0005 TO .131 87 PLC ±.0005 TO .131 88 PLC ±.0005 TO .131 89 PLC ±.0005 TO .131 90 PLC ±.0005 TO .131 91 PLC ±.0005 TO .131 92 PLC ±.0005 TO .131 93 PLC ±.0005 TO .131 94 PLC ±.0005 TO .131 95 PLC ±.0005 TO .131 96 PLC ±.0005 TO .131 97 PLC ±.0005 TO .131 98 PLC ±.0005 TO .131 99 PLC ±.0005 TO .131 100 PLC ±.0005 TO .131		AMP Incorporated Harrisburg, PA 17105-3608 <b>AMP</b> ASSEMBLY, SOCKET CONTACT POWER VIII, #12 & #14 AWG SIZE: CASE CODE DRAWING NO: A200779 C-212008 RESTRICTED TO: H
SCALE: 10:1		SHEET 1 OF 1 REV H