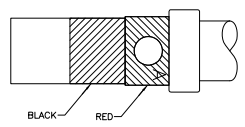
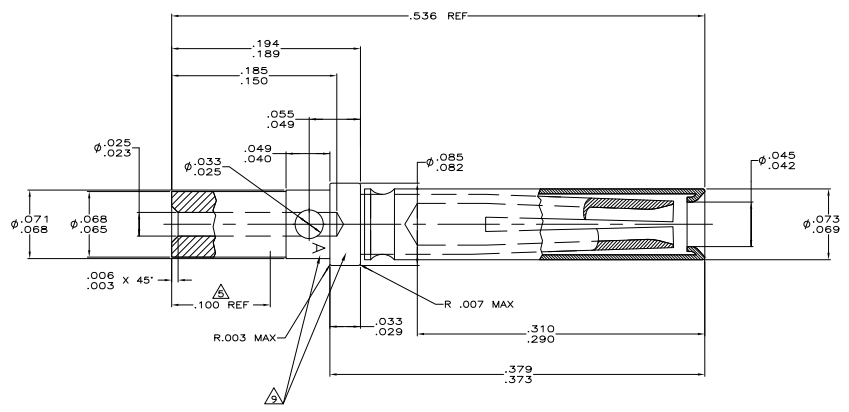
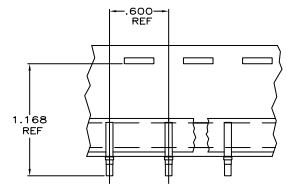


REV	DATE	DESCRIPTION	BY	CHK	APP
DF	DO				
F		REV PER EOC-07-00565			



COLOR BANDS  
 PART NO 206795-3 ONLY



TAPE MOUNTED  
 PART NO 206795-2 ONLY  
 SCALE 2:1

1. ALL DIMENSIONS APPLY AFTER PLATING.
  2. THIS CONTACT COMPLIES WITH MIL-C-24308/10, EXCEPT WIRE BARREL.
  3. ALL DIAMETERS CONCENTRIC WITH EACH OTHER WITHIN .004 T.I.R.
  4. ALL SURFACES HAVE  $\phi 3$  FINISH OR BETTER UNLESS OTHERWISE SPECIFIED.
  5. POINT OF PLATING MEASUREMENT .100 FROM WIRE BARREL END OF CONTACT.
  6. SLEEVE MAY BE CRIMPED OR DIMPLED ON TO CONTACT BODY.
- ▲ OPTIONAL LOCATION FOR STAMPED LETTER "A"

DESCRIPTION	PART NUMBER
SAME AS -3 EXCEPT TAPE MOUNTED	206795-4
SAME AS -1 EXCEPT COLOR COATED	206795-3
SAME AS -1 EXCEPT TAPE MOUNTED	206795-2
AS SHOWN	206795-1

THIS DRAWING IS A CONTROLLED DOCUMENT.		DATE	BY	CHK	APP
DESIGNED	BY	1-17-53	THOMAS		
DRAWN	BY	1-17-53	MILLER		
CHECKED	BY	1-17-53	MILLER		
APPROVED	BY				

REV	DATE	DESCRIPTION	BY	CHK	APP
A1	00779	G=206795			

CUSTOMER DRAWING