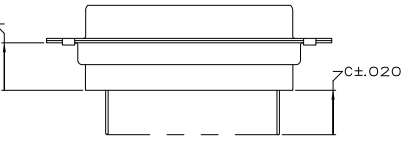
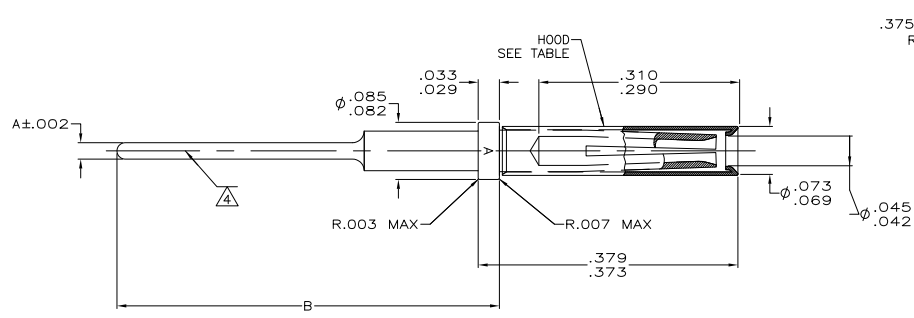


THIS DRAWING IS UNPUBLISHED.
 RELEASED FOR PUBLICATION
 ALL RIGHTS RESERVED.

REV	DATE	DESCRIPTION	BY	APPV
R1	11MAR11	REVISED PER ECO-11-005030	HMR	



POST EXTENSION WHEN USED
 IN A STANDARD CONNECTOR

REVISIONS	DATE	DESCRIPTION	BY	APPV
1				
2				
3				
4				
5				
6				
7				
8				
9				
10				
11				
12				
13				
14				
15				
16				
17				
18				
19				
20				
21				
22				
23				
24				
25				
26				
27				
28				
29				
30				
31				
32				
33				
34				
35				
36				
37				
38				
39				
40				
41				
42				
43				
44				
45				
46				
47				
48				
49				
50				
51				
52				
53				
54				
55				
56				
57				
58				
59				
60				
61				
62				
63				
64				
65				
66				
67				
68				
69				
70				
71				
72				
73				
74				
75				
76				
77				
78				
79				
80				
81				
82				
83				
84				
85				
86				
87				
88				
89				
90				
91				
92				
93				
94				
95				
96				
97				
98				
99				
100				

- 1. PLATED GOLD .000050 MIN THK, OVER COPPER .000150 MIN THK
- 2. FOR USE IN P.C. BOARD.
- 3. CONTACT CAN BE USED IN ANY STANDARD HD-20 RECEPTACLE CONNECTOR.
- 4. POINT OF PLATING MEASUREMENT .100 FROM TIP OF SOLDER TAIL.
- 5. PLATED GOLD PER MIL-G-45204, TYPE I, CLASS 1, GRADE C OVER NICKEL PER QQ-N-290, .000050 TO .000150 INCH THK.
- 6. CONTACT BODY MAT'L: LEADED NICKEL COPPER (PROPRIETARY) EQUIVALENT ALTERNATE MAT'L: COPPER ALLOY PER ASTM-B-196
- 7. CONTACTS MEET ALL APPLICABLE PERFORMANCE REQUIREMENTS OF MIL-C-39029.
- 8. HOOD: STAINLESS STEEL. PASSIVATED.
- 9. HOOD: BRASS PER QQ-B-613 OR BERYLLIUM COPPER PER ASTM-B-196 PLATED GOLD PER MIL-G-45204, TYPE II, GRADE C, CLASS 1, OVER COPPER PER MIL-C-14550, CLASS 4.

THIS DRAWING IS A CONTROLLED DOCUMENT.		DATE: 08-18-93	TE Connectivity
DIMENSIONS: mm [INCHES]		DESIGNER: D. MANTIONE	TE CONNECTIVITY
TOLERANCES UNLESS OTHERWISE SPECIFIED:		DATE: 08-23-93	TE CONNECTIVITY
Ø	PLC	PRODUCT SPEC	TE CONNECTIVITY
1	PLC	APPLICATION SPEC	TE CONNECTIVITY
2	PLC	WEIGHT	TE CONNECTIVITY
3	PLC	FINISH	TE CONNECTIVITY
4	PLC	SCALE	TE CONNECTIVITY
5	PLC	SHEET	TE CONNECTIVITY
6	PLC	1 OF 1	TE CONNECTIVITY
7	PLC	REV	TE CONNECTIVITY
8	PLC	R1	TE CONNECTIVITY