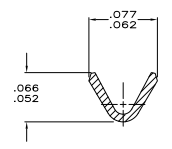
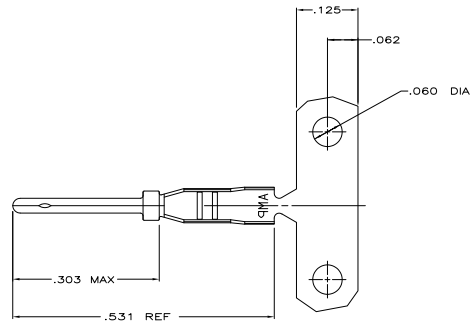
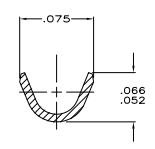


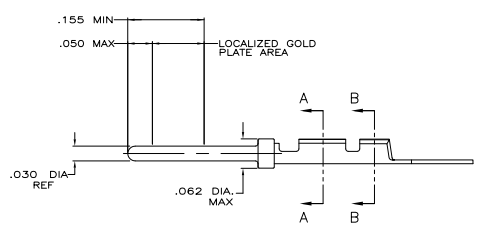
REV	DATE	DESCRIPTION	BY	CHK	APP
00					
1		REVISED PER ECO-08-08111			



SECTION A-A  
SCALE 20:1



SECTION B-B  
SCALE 20:1



1. WIRE RANGE OF 22-28 AWG, INSULATION RANGE OF .030-.040.  
 .000050 MIN NICKEL UNDERPLATE OVER ENTIRE CONTACT, .000030 MIN GOLD IN LOCALIZED GOLD PLATE AREA, GOLD FLASH ON REMAINDER OF CONTACT.  
 OR  
 .000050 NIM NICKEL UNDERPLATE OVER ENTIRE CONTACT, GOLD FLASH OVER PALLADIUM-NICKEL, .000030 MIN TOTAL ON LOCALIZED GOLD PLATE AREA, GOLD FLASH ON REMAINDER OF CONTACT.

OBSOLETE	---	1-66556-4
OBSOLETE	---	1-66556-3
OBSOLETE	---	1-66556-2
OBSOLETE	---	1-66556-1
OBSOLETE	---	1-66556-0
OBSOLETE	---	66556-9
OBSOLETE	---	66556-8
OBSOLETE	---	66556-4
OBSOLETE	---	66556-3
OBSOLETE	---	66556-2

THIS DRAWING IS A CONTROLLED DOCUMENT.		DATE: 02/78	BY: J. G. BERNERMAN	FOR: Tye Electronics Corporation
DRAWING NO: 108-1268		REV: 1	DATE: 11-14-10001	DESCRIPTION: PIN CONTACT, SIZE 22, AWG 28/22, AMPLIMATE OF
CUSTOMER DRAWING		SCALE: 10:1	SHEET: 1 OF 1	REV: T