

4

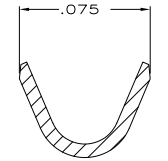
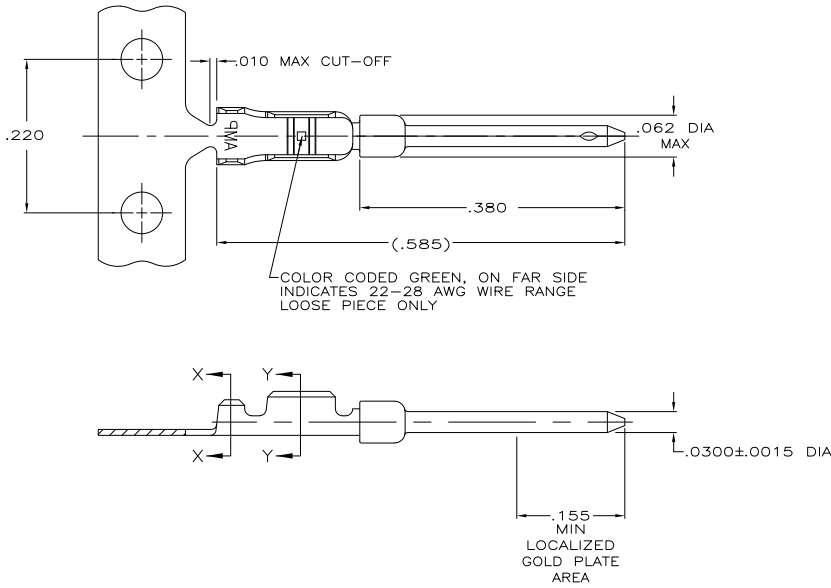
3

2

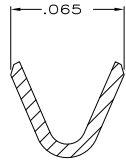
1

THIS DRAWING IS UNPUBLISHED. RELEASED FOR PUBLICATION  
 © COPYRIGHT - By - ALL RIGHTS RESERVED.

LOC	DIST	REVISIONS			
P	LTR	DESCRIPTION	DATE	BY	APPD
GP	00				
	C1	REVISED PER ECO-11-004835	11MAR11	RK	HMR



SECTION X-X  
INSULATION BARREL  
SCALE 25:1



SECTION Y-Y  
WIRE BARREL  
SCALE 25:1

- 1 FOR MINI APPLICATOR.
- 2 FOR HAND TOOL USE ONLY.
- 3. WIRE RANGE OF 22-28, INSULATION RANGE OF .030-.040.
- 4 .000050 MIN NICKEL UNDERPLATE ON ENTIRE CONTACT, .000100 MIN TIN ON WIRE AND INSULATION BARRELS, .000030 MIN GOLD ON LOCALIZED GOLD PLATE AREA.  
OR  
.000050 MIN NICKEL UNDERPLATE ON ENTIRE CONTACT, .000100 MIN TIN IN WIRE & INSULATION BARRELS, GOLD FLASH OVER PALLADIUM-NICKEL, .000030 MIN TOTAL IN LOCALIZED GOLD PLATE AREA.
- 5 GOLD FLASH IN LOCALIZED GOLD PLATE AREA, .000100 MIN TIN IN WIRE & INSULATION BARRELS, BOTH OVER .000050 MIN NICKEL UNDERPLATE.
- 6 SMALL PACK PACKAGING.

△	△	LOOSE PIECE	△	1658670-5
△	△	LOOSE PIECE		1658670-4
△	△	STRIP		1658670-3
△	△	LOOSE PIECE		1658670-2
△	△	STRIP		1658670-1
FINISH	USE	TYPE	PART NUMBER	

DIMENSIONS:		OTHER DIMENSIONS:		APPROVALS:		TE Connectivity	
INCHES		OTHER DIMENSIONS:		DESIGNED BY: VARELA - DOCKS	DATE: 11-17-04	TE Connectivity	
0 PLC ± .		OTHER DIMENSIONS:		CHK: GERACE	DATE: 11-17-04	PIN CONTACT, 22-28 AWG, 22 DF, AMPLIMITE	
1 PLC ± .		OTHER DIMENSIONS:		APPD: M. WALMSLEY	DATE: 11-17-04	NAME: M. WALMSLEY	
2 PLC ± .		OTHER DIMENSIONS:		PRODUCT SPEC: 108-1268		APPLICATION SPEC: 114-10001	
3 PLC ± .005		OTHER DIMENSIONS:		WEIGHT: -		SIZE: A2	CAGE CODE: 00779
4 PLC ± .		OTHER DIMENSIONS:		FINISH: SEE TABLE		DRAWING NO: C=1658670	RESTRICTED TO: -
ANGLES ± °		OTHER DIMENSIONS:		MATERIAL: BRASS		SCALE: 10:1	SHEET: 1 of 1
FINISH: SEE TABLE		OTHER DIMENSIONS:		CUSTOMER DRAWING		REV: C1	