

DESCRIPTION: 972 SERIES D-SUB SLIM-LINE BACKSHELL

BACKSHELL KIT INCLUDES:

- (1) BACKSHELL
- (2) 4-40 THUMBSCREWS
- (1) PLASTIC STRAIN RELIEF
- (1) METAL STRAIN RELIEF CLAMP
- (2) STRAIN RELIEF SCREWS

972-XXX-01S-XX1

SERIES \_\_\_\_\_  
POSITIONS \_\_\_\_\_

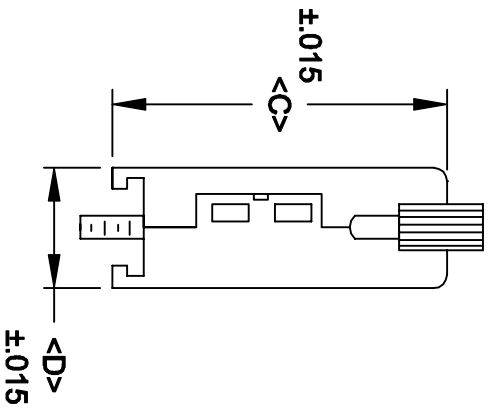
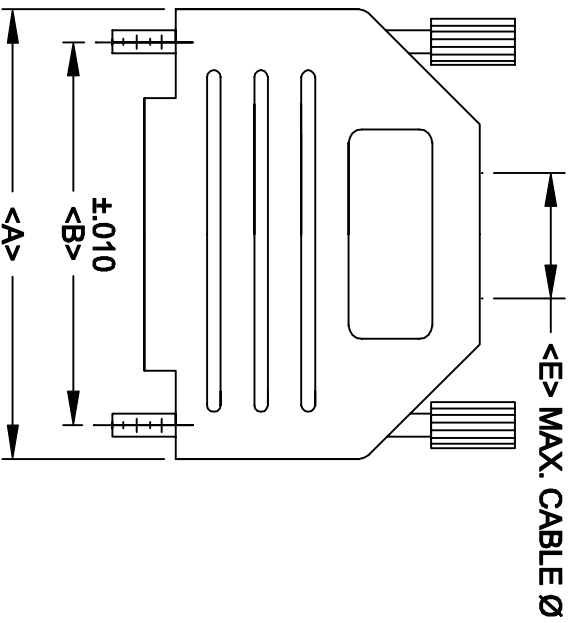
- 009
- 015
- 025
- 037

MATERIAL \_\_\_\_\_  
01S = PLASTIC/SLIM LINE

COLOR:

- 01 = BLACK
- 02 = WHITE
- 03 = GREY
- 04 = GREEN
- 05 = BROWN
- 06 = RED
- 07 = BLUE
- 08 = YELLOW
- 09 = BEIGE
- 10 = IVORY
- 11 = DEC GREY

PUT-UPS \_\_\_\_\_  
1 = KIT



POS.	DIMENSIONS				
	A	B	C	D	E
9	1.240	.984	1.339	.591	.453
	31.50	24.99	34.00	15.00	11.50
15	1.575	1.312	1.339	.591	.453
	40.00	33.32	34.00	15.00	11.50
25	2.106	1.852	1.575	.591	.453
	53.50	47.04	40.00	15.00	11.50
37	2.795	2.500	1.575	.591	.453
	71.00	63.50	40.00	15.00	11.50

MATERIAL: HIGH TEMPERATURE

ABS PLASTIC - U.L.94V-2  
MANY COLORS AVAILABLE



THESE DRAWINGS AND SPECIFICATIONS ARE THE PROPERTY OF NorComp AND SHALL NOT BE REPRODUCED, COPIED OR USED AS THE BASIS FOR THE MANUFACTURE OF APPARATUS WITHOUT WRITTEN PERMISSION.

NorComp

DRAWN: PAM JENKINS	DATE: 12-6-01
CHECKED:	DATE:
SCALE: _____	SHEET 1 OF 1
DWG NO. 972-XXX-01S-XX1	REV 2