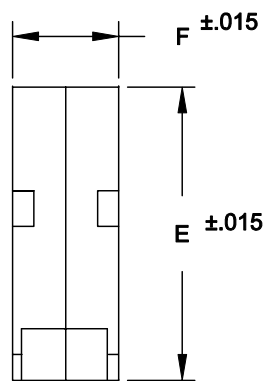
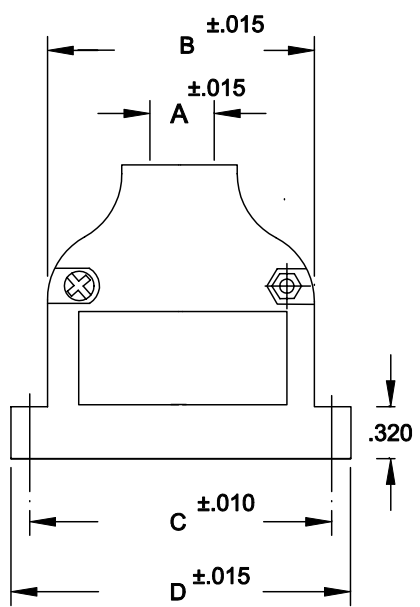


994-XXX-XXX-XX1

SERIES _____
 POSITIONS _____
 009 _____
 015 _____
 025 _____
 MATERIAL _____
 030 = ZINC _____
 COLOR: _____
 12 = NICKEL OVER COPPER _____
 PUT-UPS _____
 1 = KIT _____


DESCRIPTION: **994 SERIES ETHERNET STRAIGHT BACKSHELL**

BACKSHELL KIT INCLUDES:
 (2) BACKSHELL HALVES
 (2) HOUSING SCREWS
 (2) HOUSING NUTS



SIZE	A	B	C	D	E	F
9 POS	.433	.790	.984	1.244	1.82	.614
15 POS	.433	1.135	1.312	1.575	1.82	.665
25 POS	.433	1.640	1.852	2.106	1.82	.630

MATERIAL: DIE-CAST ZINC ALLOY
NICKEL PLATED

	THESE DRAWINGS AND SPECIFICATIONS ARE THE PROPERTY OF NorComp AND SHALL NOT BE REPRODUCED, COPIED OR USED AS THE BASIS FOR THE MANUFACTURE OR SALE OF APPARATUS WITHOUT WRITTEN PERMISSION.		DRAWN: PAM JENKINS	DATE: 9-17-99
			CHECKED:	DATE:
<h1>NorComp</h1>			SCALE	SHEET OF
			DWG NO. 994-0XX-030-121	