

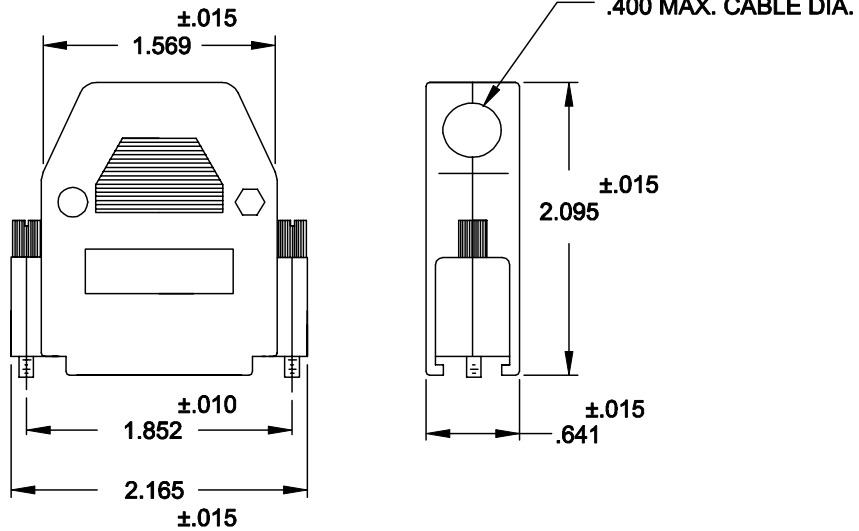
DESCRIPTION: 993 SERIES 45 DEGREE ENTRY D-SUB BACKSHELL

BACKSHELL KIT INCLUDES:

- (2) BACKSHELL HALVES
- (2) HOUSING SCREWS
- (2) HOUSING NUTS
- (2) 4-40 THUMBSCREWS
- (2) STRAIN RELIEF CLAMPS
- (2) STRAIN RELIEF SCREWS

993-XXX-XXX-XX1


Series _____
 Position _____
 025 _____
 Material _____
 010 = Plastic
 020 = Metalized Plastic
 Color: _____
 03 = Grey
 12 = Chrome
 Put-Up: _____
 1 = Kit



METALIZED PLASTIC:
 MATERIAL: ABS HIGH
 TEMPERATURE PLASTIC
 94HB

METALIZED PLATING:
 CHROME

PLASTIC:
 MATERIAL: ABS HIGH
 TEMPERATURE PLASTIC
 94HB

| | | | |
|---|---|---------------------------------|--------------------------|
|  | THESE DRAWINGS AND SPECIFICATIONS ARE THE PROPERTY OF NorComp AND SHALL NOT BE REPRODUCED, COPIED OR USED AS THE BASIS FOR THE MANUFACTURE OR SALE OF APPARATUS WITHOUT WRITTEN PERMISSION. | DRAWN: PAM JENKINS | DATE: 9-15-99 |
| | | CHECKED: | DATE: |
| NorComp | | SCALE | SHEET OF REV 4 |
| | | DWG. NO. 993-025-XXX-XX1 | |