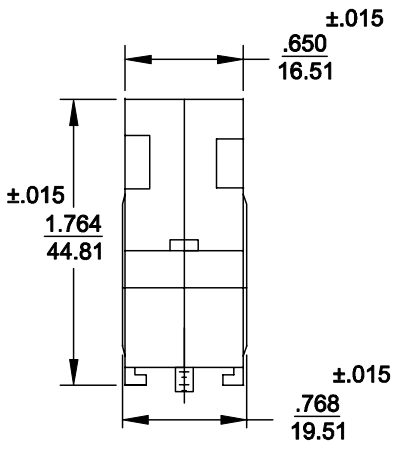
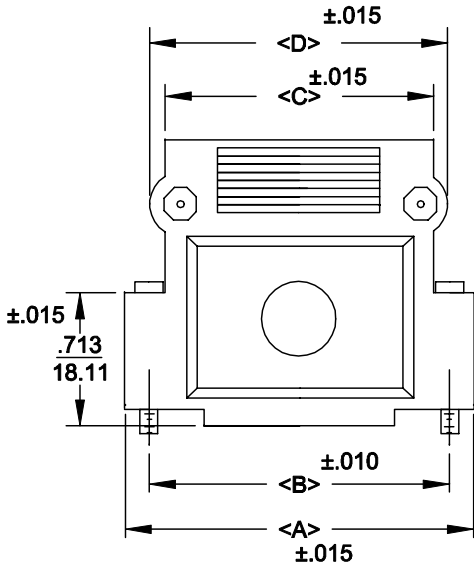


DESCRIPTION: **976 SERIES**

**BACKSHELL KIT INCLUDES:**  
 (2) BACKSHELL HALVES  
 (2) 4-40 MATING SCREWS  
 (2) HOUSING SCREWS  
 (2) HOUSING NUTS



976-XXX-XXX-XX1

SERIES \_\_\_\_\_  
 POSITIONS \_\_\_\_\_  
 009 \_\_\_\_\_  
 015 \_\_\_\_\_  
 025 \_\_\_\_\_  
 037 \_\_\_\_\_  
 MATERIAL \_\_\_\_\_  
 010 = PLASTIC  
 020 = METALIZED PLASTIC  
 COLOR: \_\_\_\_\_  
 03 = GREY  
 12 = NICKEL OVER COPPER  
 PUT-UPS \_\_\_\_\_  
 1 = KIT

POS.	A	B	C	D
9	1.319	.984	.758	.946
	33.50	24.99	19.25	24.03
15	1.622	1.312	1.102	1.289
	41.20	33.32	27.99	32.74
25	2.157	1.852	1.642	1.874
	54.79	47.04	41.71	47.60
37	2.815	2.500	2.283	2.470
	71.50	63.50	57.99	62.74

**METALIZED PLASTIC:**  
 MATERIALS: ABS HIGH TEMPERATURE  
 PLASTIC 94HB  
 PLATING: CHROME  
**METALIZED PLASTIC:**  
 MATERIALS: ABS HIGH TEMPERATURE  
 PLASTIC 94HB - GREY

	THESE DRAWINGS AND SPECIFICATIONS ARE THE PROPERTY OF NorComp AND SHALL NOT BE REPRODUCED, COPIED OR USED AS THE BASIS FOR THE MANUFACTURE OR SALE OF APPARATUS WITHOUT WRITTEN PERMISSION.	DRAWN: <b>PAM JENKINS</b>	DATE: <b>8-6-98</b>
		CHECKED:	DATE:
<b>NorComp</b>		SCALE	SHEET OF
		REV <b>2</b>	
		DWG NO. <b>976-XXX-0X0-XX1</b>	