

DESCRIPTION: 973 SERIES D-SUB BACKSHELL

BACKSHELL KIT INCLUDES:

- (2) BACKSHELL HALVES
- (2) 4-40 THUMBSCREWS
- (2) HOUSING SCREWS
- (1) METAL STRAIN RELIEF CLAMP
- (2) STRAIN RELIEF SCREWS

973-XXX-XXX-XX1

SERIES _____

POSITIONS _____

009
015
025
037
050

MATERIAL _____

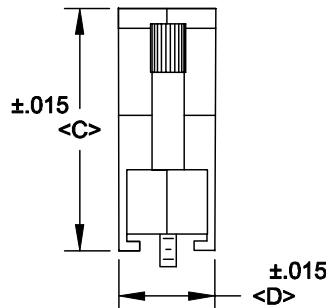
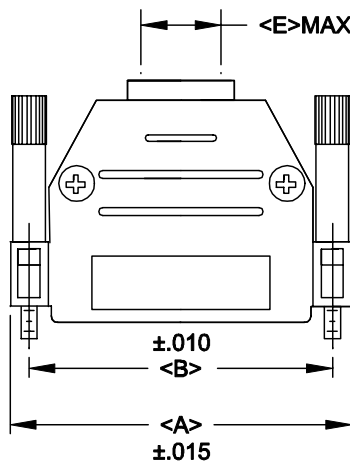
010 = PLASTIC
020 = METALIZED PLASTIC

COLOR: _____

01 = BLACK
12 = NICKEL OVER COPPER

PUT-UPS _____


1 = KIT



| POS. | A | B | C | D | E |
|------|-------|-------|-------|-------|-------|
| 9 | 1.240 | .984 | 1.221 | .598 | .335 |
| | 31.50 | 24.99 | 31.01 | 15.19 | 8.51 |
| 15 | 1.575 | 1.312 | 1.378 | .598 | .335 |
| | 40.01 | 33.32 | 35.00 | 15.19 | 8.51 |
| 25 | 2.106 | 1.852 | 1.496 | .598 | .433 |
| | 53.49 | 47.04 | 38.00 | 15.19 | 11.00 |
| 37 | 2.756 | 2.500 | 1.575 | .598 | .433 |
| | 70.00 | 63.50 | 40.01 | 15.19 | 11.00 |
| 50 | 2.657 | 2.406 | 1.575 | .717 | .472 |
| | 67.49 | 61.00 | 40.01 | 18.21 | 11.99 |

METALIZED PLASTIC:
MATERIAL: HIGH TEMPERATURE ABS
PLATING: NICKEL OVER COPPER

PLASTIC:
MATERIAL: HIGH TEMPERATURE ABS
COLOR: BLACK

| | | | | |
|---|--|-----------------------------------|------------------------------|-------------------------|
|  | THESE DRAWINGS AND SPECIFICATIONS ARE THE PROPERTY OF NorComp AND SHALL NOT BE REPRODUCED, COPIED OR USED AS THE BASIS FOR THE MANUFACTURE OR SALES OF APPARATUS WITHOUT WRITTEN PERMISSION. | | DRAWN: PAM JENKINS | DATE: 7-30-98 |
| | | | CHECKED: | DATE: |
| <h1>NorComp</h1> | | SCALE | SHEET OF | REV 3 |
| | | DWG NO. 973-XXX-0X0-XX1 | | |