

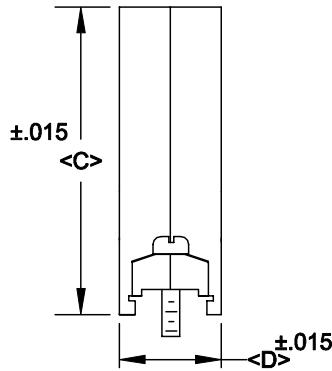
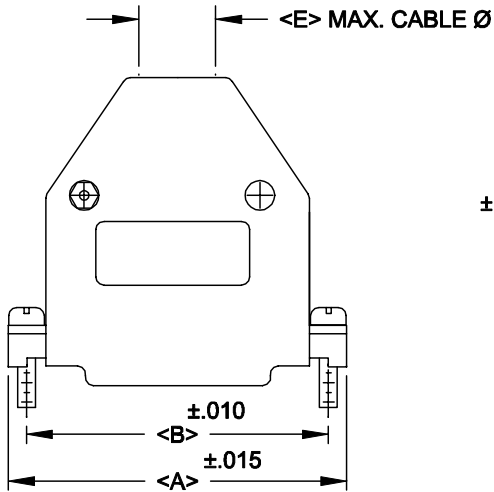
DESCRIPTION: **979 SERIES D-SUB BACKSHELL**

BACKSHELL KIT INCLUDES:

- (2) BACKSHELL HALVES
- (2) 4-40 MATING SCREW
- (2) SADDLE WASHERS
- (2) HOUSING SCREWS
- (2) HOUSING NUTS
- (1) GROMMET TREE - VARIOUS SIZES
(NON-CONDUCTIVE GROMMETS)

979-XXX-XXX-XX1

SERIES _____
 POSITIONS _____
 009 _____
 015 _____
 025 _____
 037 _____
 050 _____
 MATERIAL _____
 010 = PLASTIC _____
 COLOR: _____
 3 = GREY _____
 PUT-UPS _____
 1 = KIT _____



POS.	A	B	C	D	E
9	1.232	.984	1.913	.656	.354
	31.28	24.99	48.60	16.66	9.00
15	1.555	1.312	1.895	.669	3.74
	39.50	33.32	48.13	17.00	9.50
25	2.100	1.852	1.900	.655	.397
	53.34	47.04	48.26	16.64	10.00
37	2.748	2.500	1.900	.655	.512
	69.80	63.50	48.26	16.64	13.00
50	2.697	2.406	1.900	.770	.512
	68.50	61.11	48.26	19.56	13.00

MATERIAL: ABS HIGH TEMP. PLASTIC - UL 94HB



THESE DRAWINGS AND SPECIFICATIONS ARE THE PROPERTY OF NorComp AND SHALL NOT BE REPRODUCED, COPIED OR USED AS THE BASIS FOR THE MANUFACTURE OR SALE OF APPARATUS WITHOUT WRITTEN PERMISSION.

DRAWN: **PAM JENKINS**

DATE: **12-13-01**

CHECKED

DATE:

NorComp

SCALE _____ SHEET _____ OF _____ REV **1**

DWG NO. **979-XXX-010-031**