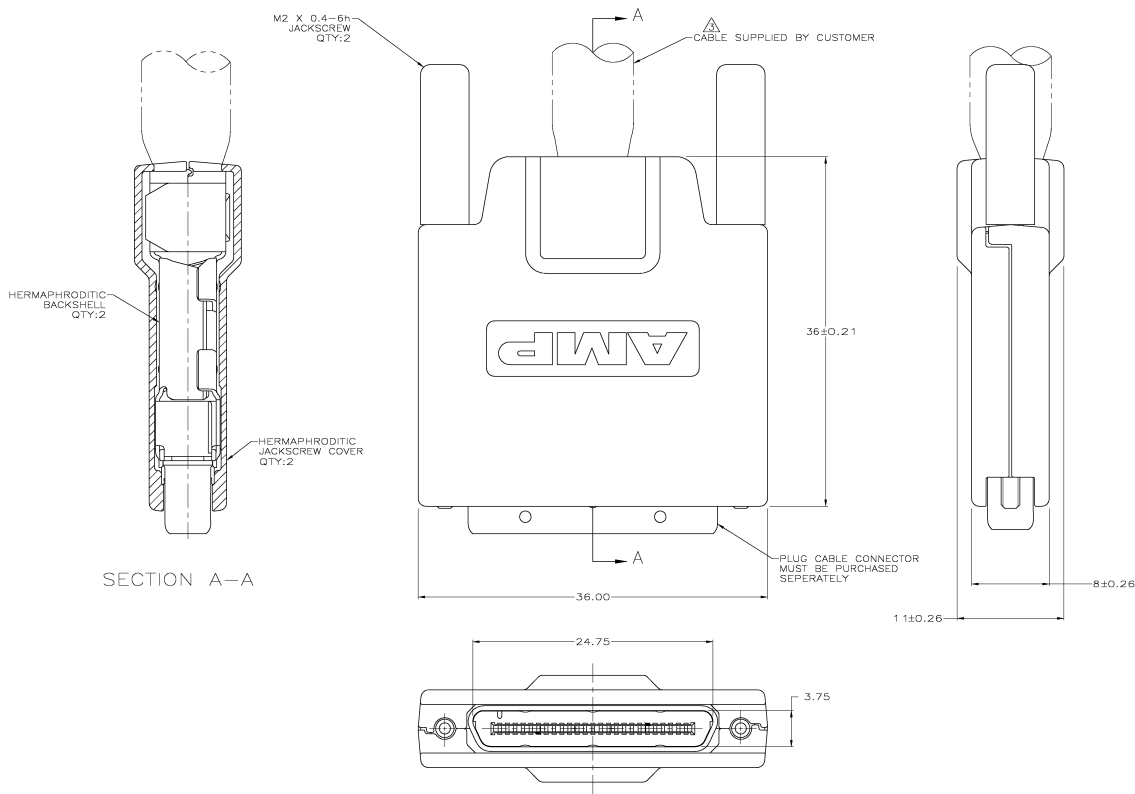


REV	DATE	DESCRIPTION	BY	CHK	APP
GP 00					
C		REDRAWN PER EC DS13-0148-04		TS	JG



- △ MATERIAL:  
 HERMAPHRODITIC BACKSHELL- STEEL.  
 JACKSCREW - STEEL.  
 JACKSCREW HEAD - ABS MOLDING COMPOUND, COLOR-BLACK.  
 HERMAPHRODITIC JACKSCREW COVER- UL 94V-0 RATED  
 ABS MOLDING COMPOUND, COLOR-BLACK.
- △ PLATING:  
 HERMAPHRODITIC BACKSHELL- 5µm MIN BRIGHT NICKEL OVER  
 2.5µm MIN COPPER.  
 JACKSCREW - BLUE CHROMATE OVER ZINC.
- △ RECOMMENDED WIRE: 30 AWG WITH A 0.56-0.64 INSULATION DIAMETER,  
 WIRE MUST BE APPROVED BY AMP ENGINEERING.

OBSOLETE.	INDIVIDUAL KIT	787233-2
	BULK, 100 KITS	787233-1
	PACKAGING	PART NO

THIS DRAWING IS A CONTROLLED DOCUMENT.		DATE	REVISED	BY	APPROVED	DATE	REVISED	BY	APPROVED
UNAPPROVED	APPROVED								
DATE	BY	DATE	BY	DATE	BY	DATE	BY	DATE	BY
MATERIAL		WEIGHT		SEE		DATE		DRAWING NO	
CUSTOMER DRAWING		A1		00778		787233		RESTRICTED TO	
		S-1		1		1		C	