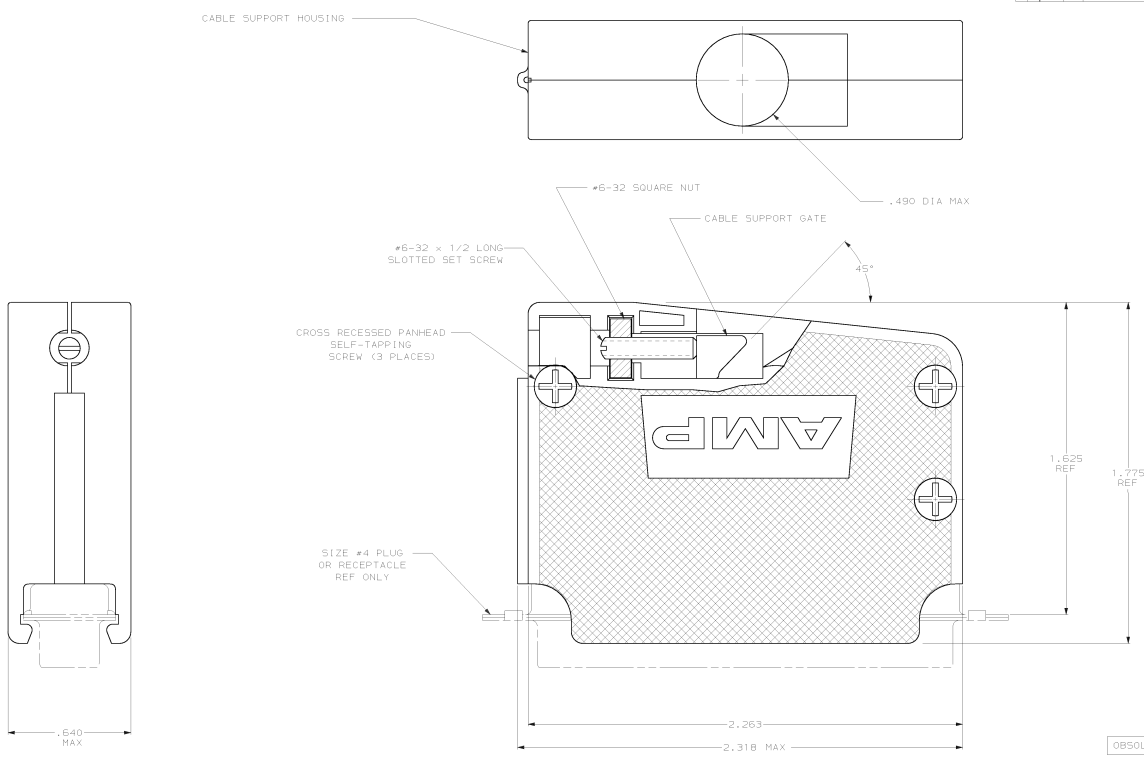


DRAWING MADE IN THIRD ANGLE PROJECTION
 THESE DIMENSIONS ARE UNLESS SPECIFIED. RELEASED FOR PUBLICATION
 © COPYRIGHT 19 BY AMP INCORPORATED. ALL INTERNATIONAL RIGHTS RESERVED.

REVOLUTIONS		DATE	APPROV
#	DESCRIPTION		
P	REDRAWN ON CAD	4-30-96	-
R	REV PER EC 0320-782-95	10-01-96	CS
S	REV PER EC 0320-124-97	10-04-97	DM
T	REV PER EC 0010-0244-00	10-01-04	OK
U	REV PER EC 0010-0247-00	10-04-04	JR



1 PARTS PACKAGED UNASSEMBLED.
 COMPONENTS INDIVIDUALLY BULK PACKED & SHIPPED AS A UNIT PACKAGE KIT.

OBSELETE	AS SHOWN	205731-1
	PACKAGEING	PART NO.

DO NOT SCALE PRINT. UNLESS SPECIFIED, DIMENSIONS IN INCHES TOLERANCES ON +	DR 5/1/90 A. STAMBOS	AMP INCORPORATED MORTFORD, PA. 17105
3 PL. DEC # .005 MILES # .010	CHK 6/15/90 J. GLENNER	
MATERIAL HOLD POLYPROPYLENE HOLD COLD ROLLED STL PER ASTM A108	APPD 7/10/90 J. WESTMAN	NAME SELF TAPPED 45° /180° CABLE SUPPORT CLAMSHELL, SIZE 4 ASSEMBLY, AMPLIMITE™ HD-20
FINISH HOLD ZINC PLATED DER ASTM B633, TYPE 2, CLASS 501	APPLICATION SPEC - RETURN -	SIZE D 00779
		DRAWING NO. 205731 SHEET 1 OF 1

CUSTOMER DRAWING