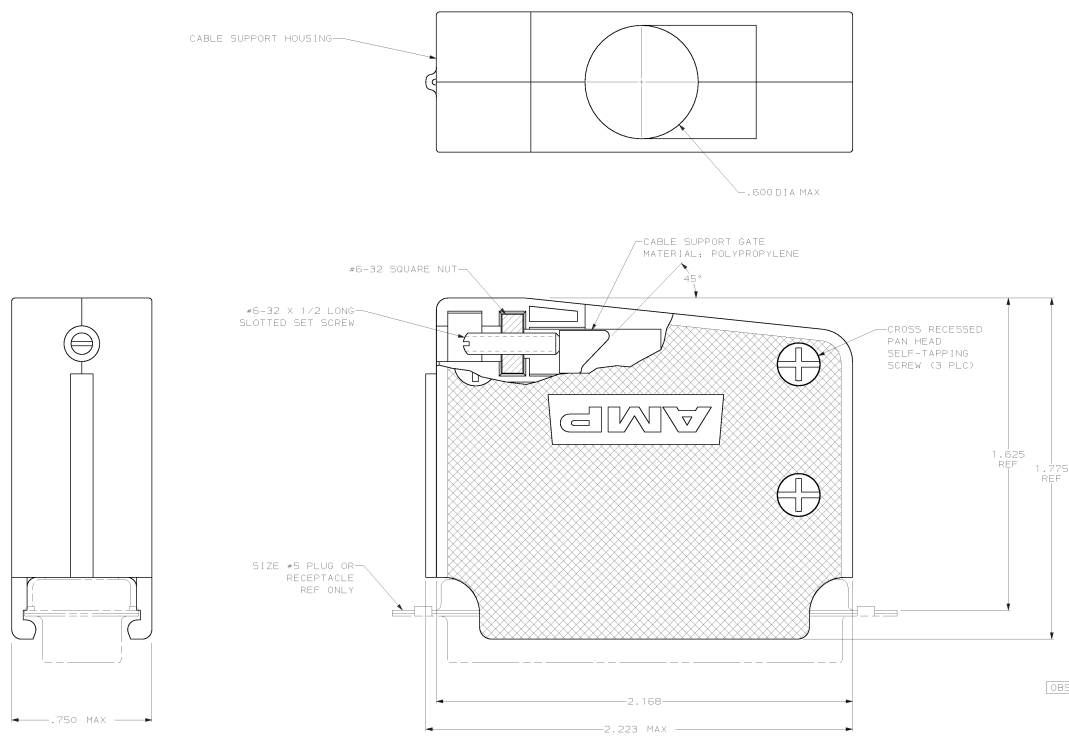


DRAWING MADE IN THIRD ANGLE PROJECTION
 THESE DIMENSIONS ARE UNLESS OTHERWISE SPECIFIED
 RELEASED FOR PUBLICATION
 © COPYRIGHT 19 BY AMP INCORPORATED. ALL INTERNATIONAL RIGHTS RESERVED.

REV. NO.		DATE	BY	CHKD.	DESCRIPTION
P	1	5-10-95			REDRAWN ON CAD
R	2	10-01-95			REV PER EC 0020-782-95
S	3	10-04-97			REV PER EC 0320-124-97
T	4	10-04-97			REV PER EC 0010-0247-00



1. PARTS PACKAGED UNASSEMBLED.
 COMPONENTS INDIVIDUALLY BULK PACKED & SHIPPED AS A UNIT PACKAGE KIT.

OBsolete	COMBINATION DRIVE	AS SHOWN	205732-3
	COMBINATION DRIVE	AS SHOWN	205732-1
	SCREW VERSION	PACKAGING	PART NUMBER

DO NOT SCALE PRINT. UNLESS SPECIFIED, DIMENSIONS IN INCHES TOLERANCES: DR ± .015 PLC DEC # .005 MILES #	DR 5/1/95 J. CARLUCCI BS CHK 6/15/95 M. GLENNER APPD 7/10/95 J.E. WESTMAN	NAME	AMP INCORPORATED MFG 10000, PA. 17105
MATERIAL MIGDED PARTS: POLYPROPYLENE, BLACK HARDWARE: COLD ROLLED STEEL, PER ASTM A108	APPD 07/16/95 J. GARDNER MODDET SPEC		SELF TAPPED 45° /180° CABLE SUPPORT CLAMSHELL, SIZE #5 ASSEMBLY, AMPLIMITE™ HD-20
FINISH HARDWARE, ZINC PLATED PER ASTM B633, TYPE 11, CLASS 5C1	APPLICATION SPEC	SIZE D	PSCR NO 00779
	RETURN	DRAWING NO 205732	SHEET 1 OF 1

CUSTOMER DRAWING