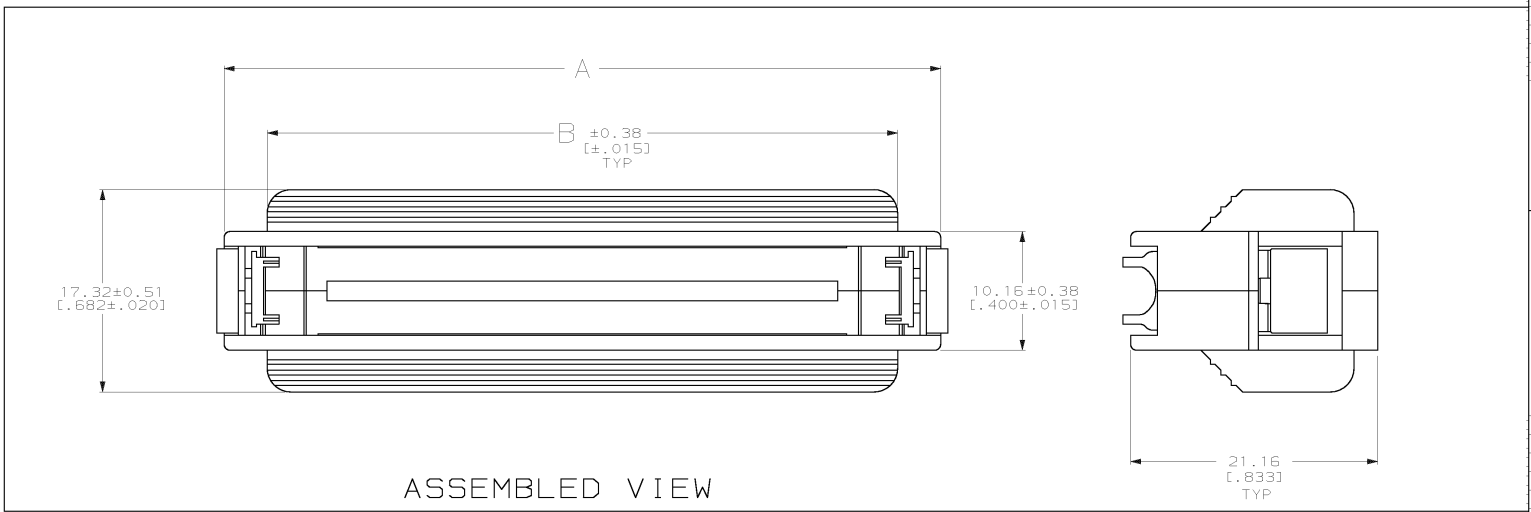


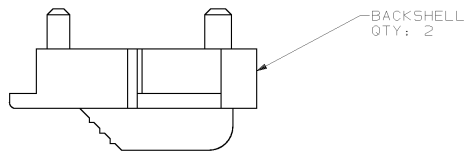
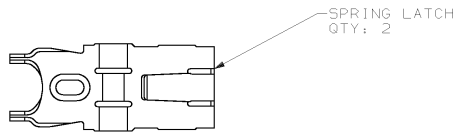
THIS DRAWING IS UNPUBLISHED. RELEASED FOR PUBLICATION .19
 © COPYRIGHT 19 BY AMP INCORPORATED. ALL INTERNATIONAL RIGHTS RESERVED.

LOC	DIST	P	F	ZONE	LTR	REVISIONS	DATE	APPR
GP	00				B	REVISED PER EC 051C-0354-01	07/14/02	JG

⚠ BACKSHELLS - ABS, BLACK, UL 94V-0 RATED.
 SPRING LATCHES - STAINLESS STEEL.



ASSEMBLED VIEW



	53.98 [2.125]	61.34 [2.415]	68	787032-7
OBSOLETE	42.54 [1.675]	49.91 [1.965]	50	787032-5
	B	A	NO. OF POSN	PART NUMBER

PART NO		PART NO		
DO NOT SCALE PRINT. UNLESS SPECIFIED DIMENSIONS IN MM (INCHES) TOLERANCES ON : 2 PLC DEC ±0.13 (.005) 3 PLC DEC # - ANGLES ± -	DR 09/21/93 CHAD BAKER	AMP AMP Incorporated Harrisburg, PA 17105-3608 NAME BACKSHELL KIT, UNASSEMBLED, WITH SPRING LATCHES, PLUG, .025CL, AMPLIMITE™ 50 SERIES		
MATERIAL	CHK 09/27/93 R. STONE			
FINISH	APPD 09/28/93 L. BREKOSKY			
	APPD 09/28/93 J. ASSINI			
	PRODUCT SPEC 108-1359	SIZE	CAGE CODE	DRAWING NO
	APPLICATION SPEC 114-40049	©	00779	©=787032
	WEIGHT	SCALE	4:1	SHEET 1 OF 1

THIS DRAWING IS A CONTROLLED DOCUMENT FOR AMP INCORPORATED. IT IS SUBJECT TO CHANGE AND THE CONTROLLING ENGINEERING ORGANIZATION SHOULD BE CONTACTED FOR THE LATEST REVISION.