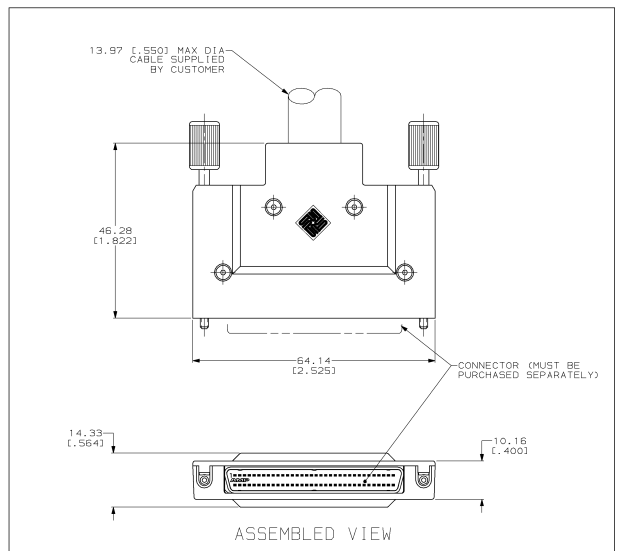
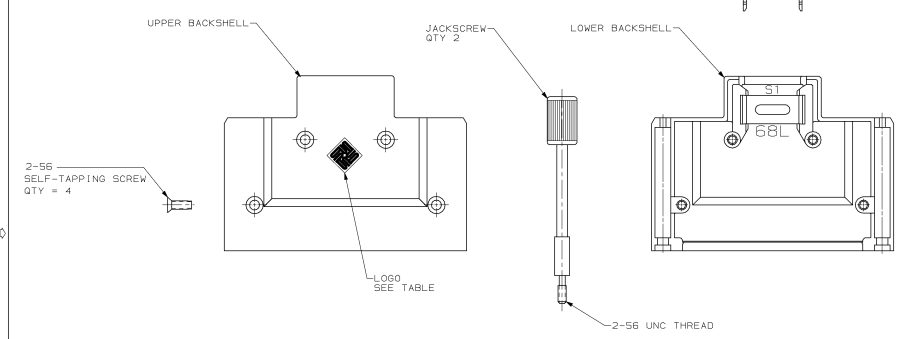


DRAWING MADE IN THIRD ANGLE PROJECTION
 THIS DRAWING IS UNPUBLISHED. RELEASED FOR PUBLICATION
 © Copyright 1988 BY AMP INCORPORATED. ALL INTERNATIONAL RIGHTS RESERVED.

REV	BY	DATE	DESCRIPTION	DATE	APPD
D	RLSE	PER NFR 3546	WAS 92-4621-3	2-5-92	-
A	ADDED	-2	PER NFR 4249	09-09-92	RB
B	REV	PER EC 0020-1247-93		10-14-93	RM
C	ADDED	-3	NFR 5051, WAS 93-4621-8-1	03-09-94	RM
D	OBS	-1	PER EC 0020-515-95	08-09-95	CB
E	OBSOLETE	-2	PER EC 0020-481-96	11-09-97	CB



- ▲ ZINC PER ASTM B86.
- ▲ STAINLESS STEEL & PVC, BEIGE.
- ▲ CARBON STEEL PER ASTM A109.
- ▲ STAINLESS STEEL.
- ▲ 1.27µm (.000050) MIN TIN-LEAD OVER 1.27µm (.000050) MIN NICKEL.
- ▲ NEXTEL, BEIGE.
- ▲ STAINLESS STEEL & PVC, BLACK.

NO	LOGO	JACKSCREW	FINISH	PART NO
NO	▲	-	-	786152-3
OBSOLETE	YES	▲	-	786152-2
OBSOLETE	YES	▲	▲	786152-1

DO NOT SCALE PRINT. UNLESS SPECIFIED	DR 2-5-92	H NOLL	NAME	AMP Incorporated
DIMENSIONS IN mm (INCHES)	CHK 2-11-92	S STORE	DATE	Harrisburg, PA 17105-3608
TOLERANCES: DIM	APPD 2-11-92	R BROS	PRODUCT SPEC	
3 PLZ DEC = .01 (.000)	APPD 2-11-92	J ASSINI	APPLICATION SPEC	
INCHES = .005	RETRT -		SIZE	CAGE CODE
			D	00779
			SCALE	2:1
			DRAWING NO	786152
			SHEET	1 OF 1

11-FEB-97 07:51:47 00640593 /hoke/ssrv0264/0504/dspt4023/comp43973/etmod

CUSTOMER DRAWING