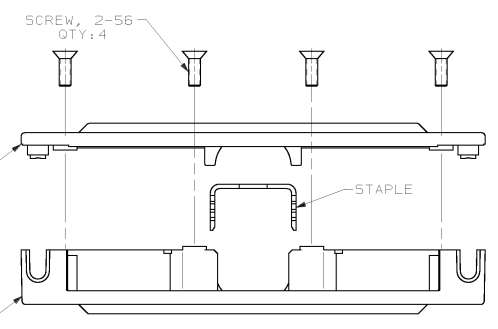
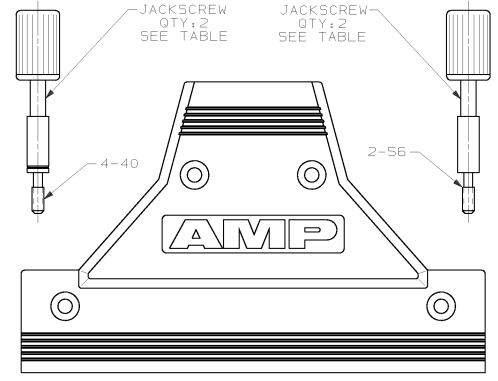
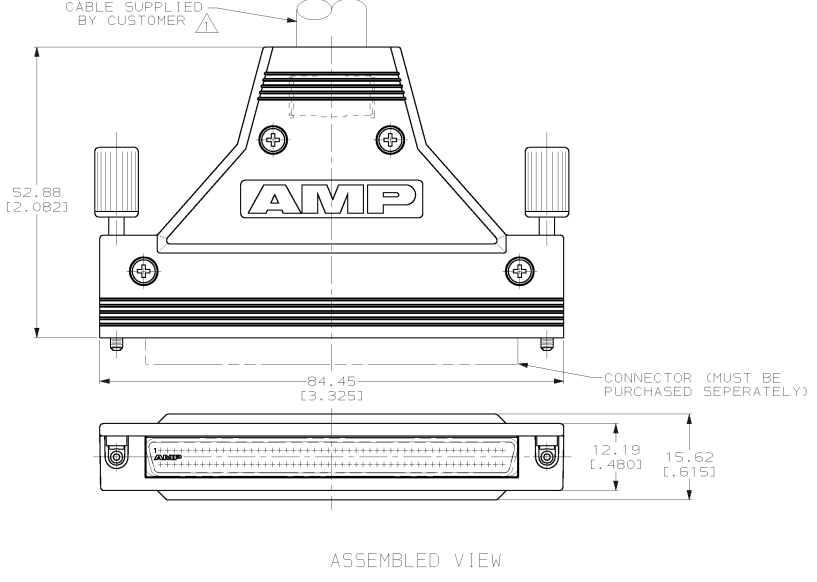


THIS DRAWING IS UNPUBLISHED. RELEASED FOR PUBLICATION _____, 19____
 © COPYRIGHT 19____ BY AMP INCORPORATED. ALL INTERNATIONAL RIGHTS RESERVED.

REVOLUTIONS								
LOC	DIST	F	F	ZONE	LTR	DESCRIPTION	DATE	APPD
GP	00					REVISED PER EC 0513-0160-03	22MAY93	JG



- ⚠ 12.70 [0.500] MAX CABLE DIA.
- ⚠ MATERIAL: ZINC.
- ⚠ PLATING: NICKEL OVER COPPER.
- ⚠ MATERIAL: STEEL.
- ⚠ PLATING: BRIGHT TIN-LEAD OVER NICKEL.
- ⚠ FLAME RETARDANT 94 V-0 RATED, POLYOLEFIN OR PVC, COLOR: BLACK.
- ⚠ BLACK ZINC PLATED.
- ⚠ MATERIAL: STAINLESS STEEL.
- ⚠ PLATING: BRIGHT TIN OVER NICKEL.

	JACKSCREW THREAD	STAPLE FINISH	PART NO
	2-56 UNC	⚠	749854-3
OBsolete	4-40 UNC	⚠	749854-2
	2-56 UNC	⚠	749854-1

DO NOT SCALE PRINT. UNLESS SPECIFIED DIMENSIONS IN MM (INCHES) TOLERANCES: ON + 2 PLC DEC ±0.38 [0.015] ANGLES # -		DR 02-19-90 M.E. SHIRK		AMP Incorporated Harrisburg, PA 17105-3608	
MATERIAL		CHK 02-19-90 J. BROSDARD			
STAPLE: ⚠ JACKSCREWS: ⚠ ⚠		APPD 02-21-90 D. GRIESEKER		NAME	
SCREWS: ⚠ BACKSHELLS: ⚠		APPD 02-19-90 R. WHITEMAN		INDIVIDUAL KIT, BACKSHELLS WITH MALE JACKSCREWS, HSC, 100 POSITION, AMPLIMIT™ .050 SERIES	
FINISH		PRODUCT SPEC		DRAWING NO	
STAPLE: SEE TABLE		-		CAGE CODE 00779	
JACKSCREWS: ⚠ BACKSHELLS: ⚠		WEIGHT -		DRAWING NO C=749854	
				SCALE 2:1	
				SHEET 1 OF 1	

THIS DRAWING IS A CONTROLLED DOCUMENT FOR AMP INCORPORATED. IT IS SUBJECT TO CHANGE AND THE CONTROLLING DISCREPANCY SHOULD BE CONTACTED FOR THE LATEST REVISION.