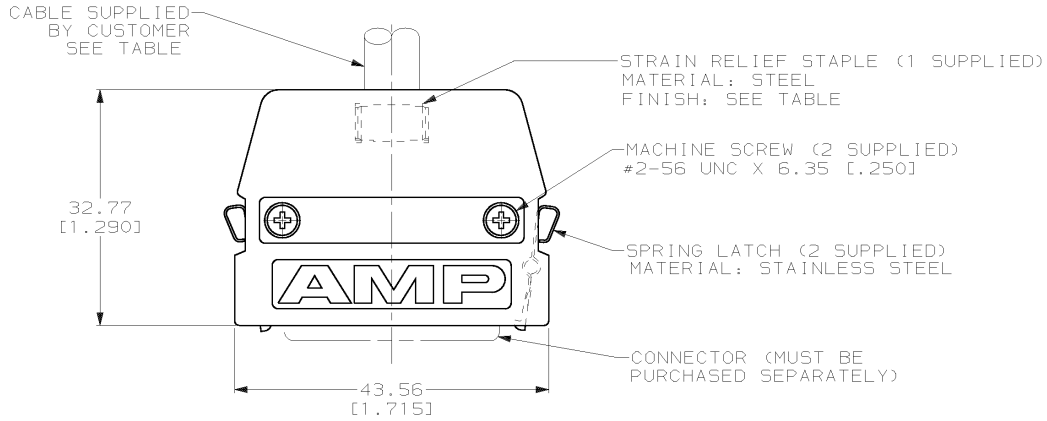


DRAWING MADE IN THIRD ANGLE PROJECTION

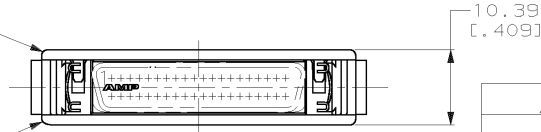
THIS DRAWING IS UNPUBLISHED. RELEASED FOR PUBLICATION .19 .  
 © COPYRIGHT 19 BY AMP INCORPORATED. ALL INTERNATIONAL RIGHTS RESERVED.

LOC	DIST	P	F	ZONE	LTR	DESCRIPTION	DATE	APPO
GP	00				H	REVISED PER EC 0513-0160-03	22MAY03	JG



UPPER BACKSHELL (1 SUPPLIED)  
 MATERIAL: ZINC  
 PLATING: NICKEL OVER COPPER

LOWER BACKSHELL (1 SUPPLIED)  
 MATERIAL: ZINC  
 PLATING: NICKEL OVER COPPER



- ① 8.13 [.320] MAX CABLE DIA.
- ② 6.86 [.270] MAX CABLE DIA.
- ③ OBSOLETE PART NUMBER.
- ④ BRIGHT TIN-LEAD OVER NICKEL.
- ⑤ BRIGHT TIN OVER NICKEL.

CABLE SIZE	PACKAGING	STAPLE FINISH	PART NO
②	BULK	④	749192-3
①	BULK	④	749192-2 ③
①	INDIVIDUAL	④	749192-1

DO NOT SCALE PRINT, UNLESS SPECIFIED DIMENSIONS IN MM (INCHES) TOLERANCES ON: 2 PLC DEC ± - 3 PLC DEC ± 0.38 (1.015) ANGLES ± -	DR 12-20-BB M.A. McCAFFREY CHK 12-20-BB M.E. SHIRK APPD 12-20-BB J. BROSBARD APPD 12-20-BB C.E. REYNOLDS PRODUCT SPEC - FINISH - APPLICATION SPEC - WEIGHT -	<p><b>AMP</b>   AMP INCORPORATED Harrisburg, Pa. 17105</p> <p>NAME KIT, UNASSEMBLED, 40 POSITION, STRAIGHT EXIT, UNKEYED, AMPLIMITE™ .050 SERIES</p> <p>SIZE <b>B</b> FSCM NO 00779 DRAWING NO 749192 SCALE 2:1 SHEET 1 OF 1</p>
--	---	--

AMP 1470-15 REV 3-87  
 09-JAN-97

14:17:02 amp35397 /home/ssrv026d/dsk04/dept4023/amp35397/edmod

CUSTOMER DRAWING