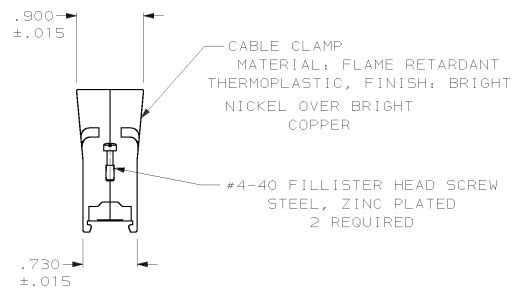
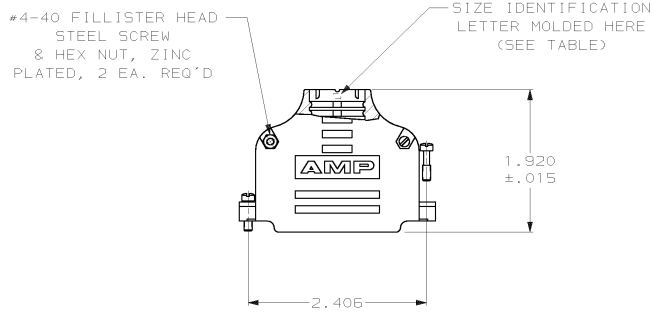
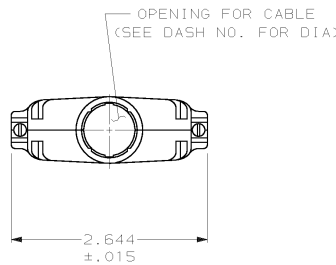


DRAWING MADE IN THIRD ANGLE PROJECTION  
 THIS DRAWING IS UNPUBLISHED. RELEASED FOR PUBLICATION .19  
 © COPYRIGHT 19 BY AMP THERMOPLASTIC, FINISH, BRIGHT NICKEL

747098

LOC	DIST	P	F	ZONE	LTR	DESCRIPTION	DATE	APPD
GP	00					REVISIONS		
					A	REDRAWN	7-17-90	-
					B	OBSOLETE -3 PER EC 0020-713-95	06 FEB 95	CS
					C	OBSOLETE -11 PER EC 001D-0155-00	02 FEB 91	DK
					D	REV PER EC 00E0-0002-01	10 JAN 02	JR



⚠	I	.375	1-747098-2	⚠	1-747098-1
	L	.450	1-747098-0	⚠	747098-9
	O	.525	747098-8	⚠	747098-7
	S	.600	747098-6	⚠	747098-5
	U	.675	747098-4	⚠	747098-3
	V	.750	747098-2	⚠	747098-1
REMARKS	SIZE IDENT	CABLE DIA	BULK PACKED KIT NO. ⚠	INDIVIDUAL KIT NO. ⚠	

- ⚠ ALL PARTS PACKAGED UNASSEMBLED.
- ⚠ AS SHOWN ABOVE THIS KIT CONSISTS OF 2 STRAIN RELIEF HALVES, 2 #4-40 SCREWS, 2 #4-40 NUTS & 2 #4-40 MOUNTING SCREWS.
- ⚠ SAME AS SHOWN EXCEPT, EACH PART IS INDIVIDUALLY BULK PACKED FOR MULTIPLE KIT ORDERS.
- ⚠ OBSOLETE.

DO NOT SCALE PRINT. UNLESS SPECIFIED DIMENSIONS IN INCHES TOLERANCES ON : 2 PLC DEC # - 3 PLC DEC # .005 ANGLES # -	DR 7/17/90 A. STAUB B6	AMP INCORPORATED Harrisburg, Pa. 17105	
CHK 9-10-90 J. McCLINTON	NAME		
MATERIAL	APPD 9-10-90 J. WEST	CABLE CLAMP KIT, SIZE 5, 50 POSITION, 180 DEGREES, AMPLIMITE™ SERIES, PLATED PLASTIC	
SEE CALLOUT	PRODUCT SPEC	SIZE C	FSCM NO 00779
FINISH	APPLICATION SPEC	DRAWING NO 747098	
SEE CALLOUT	WEIGHT	SCALE	SHEET 1 OF 1

CUSTOMER DRAWING