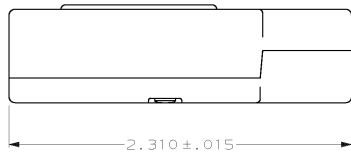
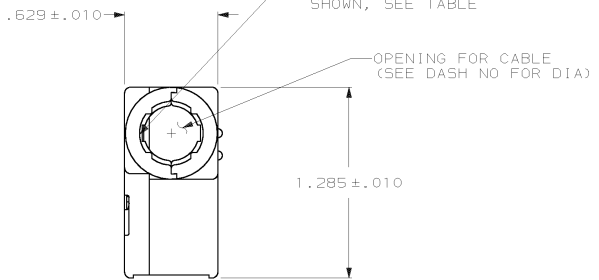
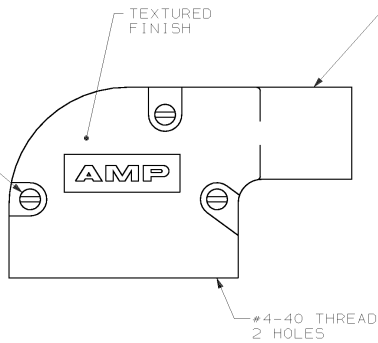


DRAWING MADE IN THIRD ANGLE PROJECTION
 THIS DRAWING IS UNPUBLISHED. RELEASED FOR PUBLICATION .19
 © COPYRIGHT 19 BY AMP INCORPORATED. ALL INTERNATIONAL RIGHTS RESERVED.

LOC	DIST	P	F	ZONE	LTR	REVISIONS	DATE	APPD
GP	00					B REDRAWN	7-90	-
						C REV PER EC 0020-881-95	25 AUG 95	JS
						D OBSOLETED -1 PER EC 0020-780-95	06 FEB 95	CS
						E OBSOLETED -4 PER EC 0020-713-95	06 FEB 95	CS
						F REV PER EC 00E0-0002-01	10 JAN 02	JR



CABLE CLAMP
 MATERIAL: ZINC ALLOY, PLATED NICKEL OVER COPPER.



1. ALL PARTS PACKAGED UNASSEMBLED.

OBSOLETE	SIZE IDENT LETTER	CABLE DIA	PART NUMBER
	B	.225	745918-4
	E	.300	745918-3
	H	.375	745918-2
	K	.430	745918-1

DO NOT SCALE PRINT. UNLESS SPECIFIED DIMENSIONS IN INCHES. TOLERANCES ON : 2 PLC DEC # - 3 PLC DEC # .005 ANGLES # -		DR 7-24-90 J GALLUCCI B6		AMP INCORPORATED Harrisburg, Pa. 17105	
SEE CALLOUTS		CHK 9-10-90 J. McCLINTON			
MATERIAL		APPD 9-11-90 B. TAYLOR		NAME	
SEE CALLOUTS		APPD 9-11-90 J. ASSINI		CABLE CLAMP KIT, SIZE 2, 15 POSITION, 90°, AMPLIMITE™ SERIES	
FINISH		APPLICATION SPEC		SIZE	FSCM NO
SEE CALLOUTS		-		C	00779
WEIGHT		-		SCALE	DRAWING NO
-		-		2:1	745918
				SHEET	1 OF 1

CUSTOMER DRAWING

745918

A