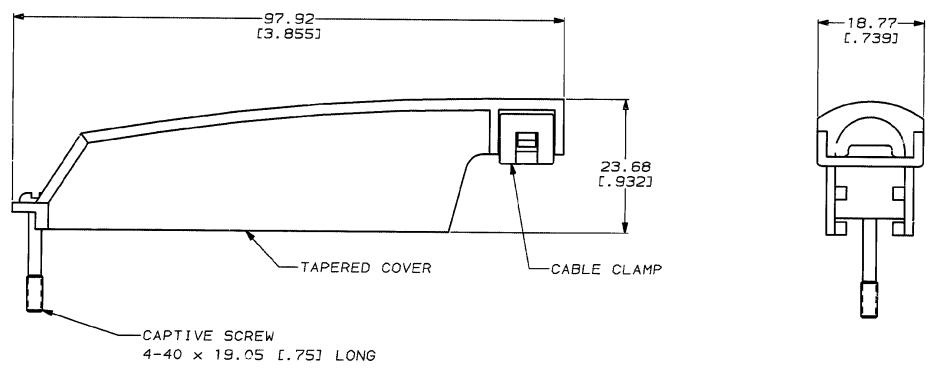


DRAWING MADE IN THIRD ANGLE PROJECTION
 THIS DRAWING IS UNPUBLISHED. RELEASED FOR PUBLICATION , 19 .
 © COPYRIGHT 19 BY AMP INCORPORATED. ALL INTERNATIONAL RIGHTS RESERVED.

LOC	DIST	P	F	ZONE	LTR	DESCRIPTION	DATE	APPD
AA	20					K ADD: 2/1; NPR C93-222	8/24/93	CM

- 1. KIT SHIPPED NOT ASSEMBLED.
- △ MATERIAL:
COVER - POLYPHENYLENE OXIDE.
CABLE CLAMP - POLYESTER PBT.
SEE TABLE FOR COLOR.
SCREW - ZINC PLATED STEEL.
- △ DIMENSIONS SHOWN ARE MAXIMUM.
- △ 100 KITS BULK PACKED.
- △ 500 KITS BULK PACKED.



△	GRAY	7.62 - 8.26 [.300 - .325]	2-552560-1
△	BLACK	10.80 - 12.70 [.425 - .500]	552560-5
△	BLACK	8.89 - 10.80 [.350 - .425]	552560-1
PACKAGE	COLOR	CABLE RANGE DIAMETER	PART NO
DO NOT SCALE PRINT. UNLESS SPECIFIED DIMENSIONS IN mm [INCHES] TOLERANCES ON : 2 PLC DEC ± 3 PLC DEC ± ANGLES * -		DR 8/24/93 JOEL H. WOOTEN CHK 8/27/93 C. WHITT APPD 8/31/93 J. TRAMMEL	AMP AMP Incorporated Harrisburg, PA 17105-3608
MATERIAL		NAME	
FINISH		APPLICATION SPEC	COVER KIT, 90°, TAPERED, 50 POSITION, CHAMP®
WEIGHT		SCALE	SIZE CAGE CODE DRAWING NO 00779 C=552560
		SCALE 2:1	SHEET 1 OF 1

THIS DRAWING IS A CONTROLLED DOCUMENT FOR AMP INCORPORATED. IT IS SUBJECT TO CHANGE AND THE CONTROLLING ENGINEERING ORGANIZATION SHOULD BE CONTACTED FOR THE LATEST REVISION.

AMP 1471-6 REV 3-92
 30 AUG 1993 11:02:06 AMP15520 <UT079F>DEPT2420>AMP15520>EDM_CHKOUT

CUSTOMER DRAWING