

DRAWING MADE IN THIRD ANGLE PROJECTION

2

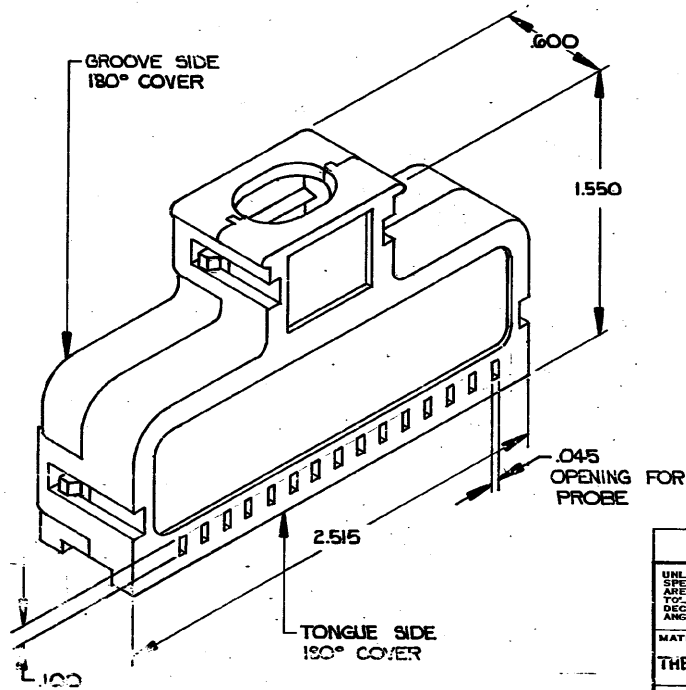
1 LOC AA DIST 20

THIS DRAWING IS UNPUBLISHED. RELEASED FOR PUBLICATION 19
 © COPYRIGHT 19 BY AMP INCORPORATED, HARRISBURG, PA. ALL INTERNATIONAL RIGHTS RESERVED. AMP PRODUCTS MAY BE COVERED BY U.S. AND FOREIGN PATENTS AND/OR PATENTS PENDING.

REVISIONS						
P	F	ZONE	LTR	DESCRIPTION	DATE	APPROVED
E	1			REV PER ECN AA-4448	3/6/67	JTW TC

D
C
B
A

D
C
B
A



1. ALL DIMENSIONS SHOWN ARE FOR REFERENCE ONLY UNLESS OTHERWISE SPECIFIED.
2. COVERS SHIPPED NOT ASSEMBLED.
3. 100 KITS BULK PACKED.

.430-.500		BLACK	1-55200G-1	1-55200T-1	552003-1
CABLE RANGE		COLOR	GROOVE SIDE	TONGUE SIDE	KIT
DIAMETER			PART NO.	PART NO.	PART NO.
UNLESS OTHERWISE SPECIFIED DIMENSIONS ARE IN INCHES. TOLERANCES ON: DECIMALS ± ANGLES ±		CONTRACT NO.		AMP INCORPORATED Harrisburg, Pa.	
MATERIAL		DR. <i>Paul H. ...</i> 5-11-62		NAME COVER KIT, PROBE, 180°	
THERMOPLASTIC		CHK. <i>Stephen D. ...</i> 5-26-63		50 POSITION, CHAMP	
FINISH		APP. <i>...</i>		SIZE B PGM NO. 00779 DRAWING NO. 552003	
OTHER APPD		DSGN A-1E		SCALE 2:1 SHEET 1 OF 1	

AMP 1470-15 REV 2-61

CUSTOMER DRAWING