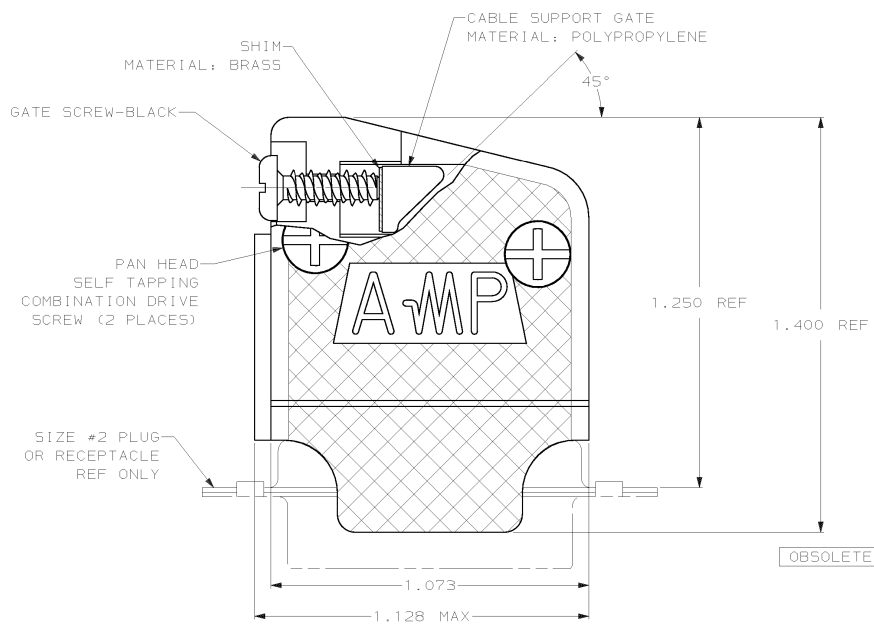
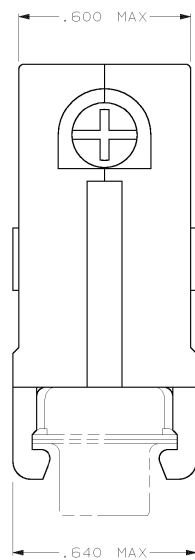
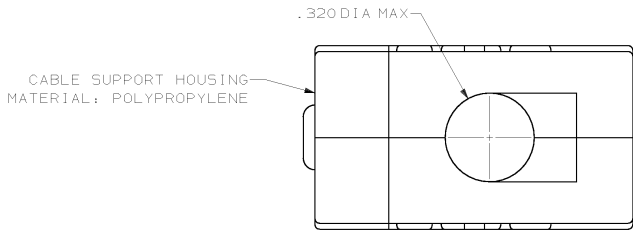


DRAWING MADE IN THIRD ANGLE PROJECTION
 THIS DRAWING IS UNPUBLISHED. RELEASED FOR PUBLICATION 19
 © COPYRIGHT 19 BY AMP INCORPORATED. ALL INTERNATIONAL RIGHTS RESERVED.

LOC	DIST	P	F	ZONE	LTR	REVISIONS	DATE	APPD
BD	48				F	REDRAWN ON CAD	5-2-90	-
					G	OBS -3 PER ECN 806420	07/20/92	RM
					H	REV PER EC 001D-0106-99	11 NOV 99	DK



OBsolete	AS SHOWN	206393-3
	PACKAGING	206393-1
		PART NUMBER

1. PARTS ARE PACKAGED UNASSEMBLED.
 COMPONENTS INDIVIDUALLY BULK PACKED & SHIPPED AS A UNIT PACKAGE KIT.

DO NOT SCALE PRINT. UNLESS SPECIFIED DIMENSIONS IN INCHES TOLERANCES ON : 2 PLC DEC # - 3 PLC DEC # .005 ANGLES # -	DR 5-2-90 J.GALLUCCI BG CHK 6-15-90 W.G.LENKER APPD 7-9-90 J.E.WESTMAN	AMP INCORPORATED Harrisburg, Pa. 17105	
MATERIAL SEE CALOUT	APPD 7-16-90 J.ASSINI	NAME SELF TAPPING 45°/180° CABLE SUPPORT CLAMSHELL, SIZE 2 ASSEMBLY, AMPLIMITE™ HD-20	
FINISH -	APPLICATION SPEC -	SIZE C	FSCM NO 00779
WEIGHT -		DRAWING NO 206393	SHEET 1 OF 1
		SCALE 4:1	

CUSTOMER DRAWING