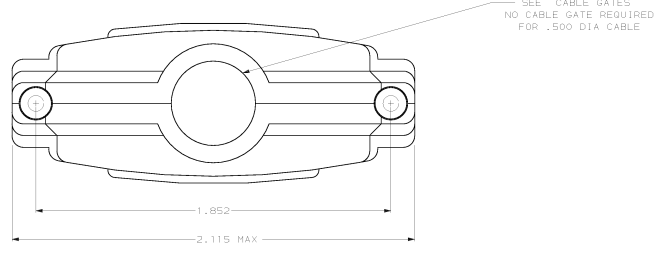


DRAWING MADE IN 3D CAD PRODUCTION
 TITLE OPERATOR TO UNPUBLISHED RELEASED FOR PUBLICATION
 © COPYRIGHT 19 BY AMP INCORPORATED. ALL INTERNATIONAL RIGHTS RESERVED.

REV		REV		REV		REV		REV		REV	
NO	BY	DATE	DESCRIPTION	DATE	DESCRIPTION	DATE	DESCRIPTION	DATE	DESCRIPTION	DATE	DESCRIPTION
77	BD										
A			REDRAWN ON CAD	8-7-90							
B			REV PER EC 0020-248-94	10-14-94							
C			OBS -1 PER EC 0010-0244-00	10-09-94							



SET 3A

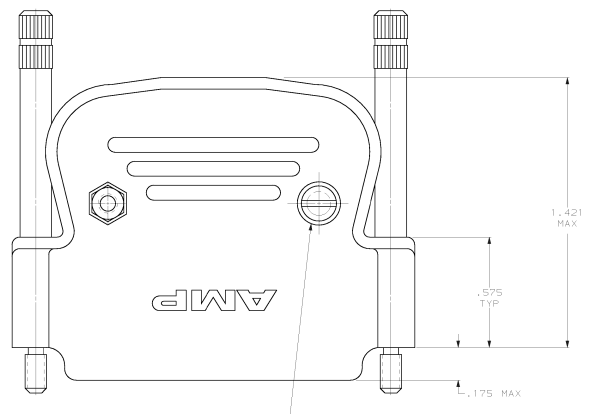


SET 3B

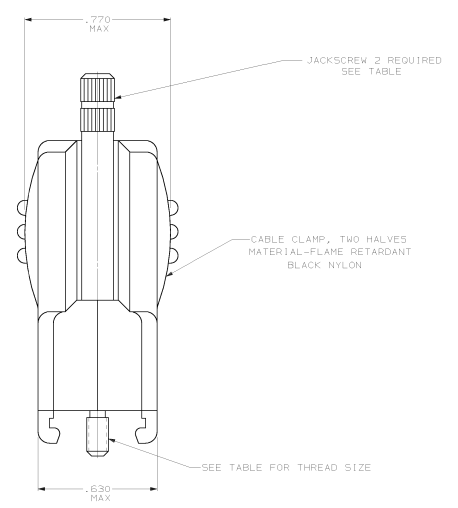


SET 3C

CABLE GATES



#4-40 x .500 LONG STEEL
 FIL HEAD SCREW & HEX NUT
 2 PLACES, PLATED CLEAR
 ZINC PER 00-Z-325



1. PARTS PACKAGED UNASSEMBLED.
 ZINC PER 00-Z-325, BLACK.

OBSOLETE	4-40	PASSIVATED	STAINLESS STEEL	745121-2
	M3 x 0.5	FINISH	STEEL	745121-1
	SCREW THREAD	JACKSCREW	MATERIAL	PART NO.

DO NOT SCALE PRINT. UNLESS SPECIFIED DIMENSIONS IN INCHES POLARSKES DW 4 2 P L C SEE # 3 P L C DEC # 005 INCHES #	DR 5/2/90 A 3148 B6 CHR 6-15-90 M/C-LENER	AMP INCORPORATED MORTON, PA. 17055	
MATERIAL	APPD 7-10-90 J-ASTWIN	NAME	
SEE CALLOUT	APPD 7-10-90 J-ASSUM	STRAIN RELIEF ASSEMBLY, SIZE 3, 25 POSITIONS, AMPLIMITE	
FINISH	APPLICATION SPEC	SIZE	PART NO
SEE CALLOUT		D	00779
	RETURN	SCALE	DRAWING NO
		4:1	745121
			SHEET 1 OF 1

CUSTOMER DRAWING