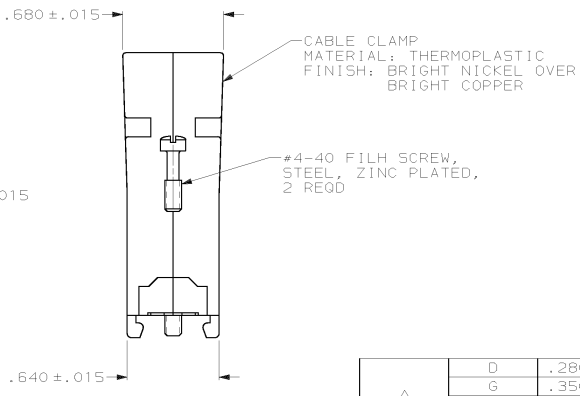
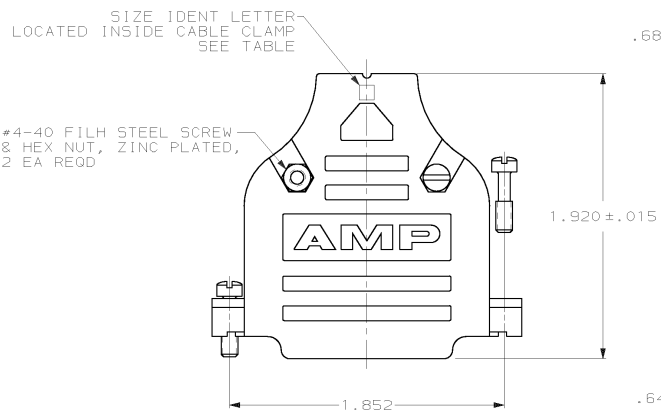
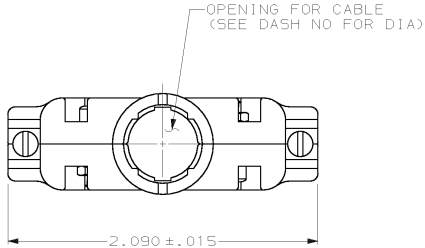


DRAWING MADE IN THIRD ANGLE PROJECTION
 THIS DRAWING IS UNPUBLISHED. RELEASED FOR PUBLICATION .19
 © COPYRIGHT 19 BY AMP INCORPORATED. ALL INTERNATIONAL RIGHTS RESERVED.

LOC	DIST	P	F	ZONE	LTR	REVISIONS	DATE	APPD
BD	48					A REDRAWN	7-90	-
						B REVISED PER ECN B05388	11/27/91	RM
						C REVISED PER EC 0020-1344-93	11/03/93	SB



- ⚠ ALL PARTS PACKAGED UNASSEMBLED.
- ⚠ AS SHOWN ABOVE, THIS KIT CONSISTS OF 2 STRAIN RELIEF HALVES, 2 #4-40 SCREWS, 2 #4-40 NUTS & 2 #4-40 MOUNTING SCREWS.
- ⚠ SAME AS SHOWN EXCEPT, EACH PART IS INDIVIDUALLY BULK PACKED FOR MULTIPLE KIT ORDERS.
- ⚠ OBSOLETE.

REMARKS	SIZE IDENT LETTER	CABLE DIA	BULK PACKED KIT NO	INDIVIDUAL KIT NO
	D	.280	1-745833-0	745833-9
	G	.350	745833-8	745833-7
	K	.430	745833-6	745833-5
	M	.480	745833-4	745833-3
	P	.530	745833-2	745833-1

DO NOT SCALE PRINT. UNLESS SPECIFIED DIMENSIONS IN INCHES. TOLERANCES ON: 2 PLC DEC ± - 3 PLC DEC ± .005 ANGLES ± -		DR 7-25-90 J GALLUCCI B6		AMP INCORPORATED Harrisburg, Pa. 17105	
SEE CALLOUT		CHK 9-10-90 J.McCLINTON			
MATERIAL		APPD 9-10-90 J.WESTMAN		NAME	
SEE CALLOUT		APPD 9-11-90 J.ASSINI		CABLE CLAMP KIT, SIZE 3, 25 POSN, 180°, AMPLIMITE™ SERIES, PLATED PLASTIC	
FINISH		APPLICATION SPEC		SIZE	FSCM NO
SEE CALLOUT		-		C	00779
WEIGHT		-		SCALE	DRAWING NO
-		-		2:1	745833
				SHEET	1 OF 1