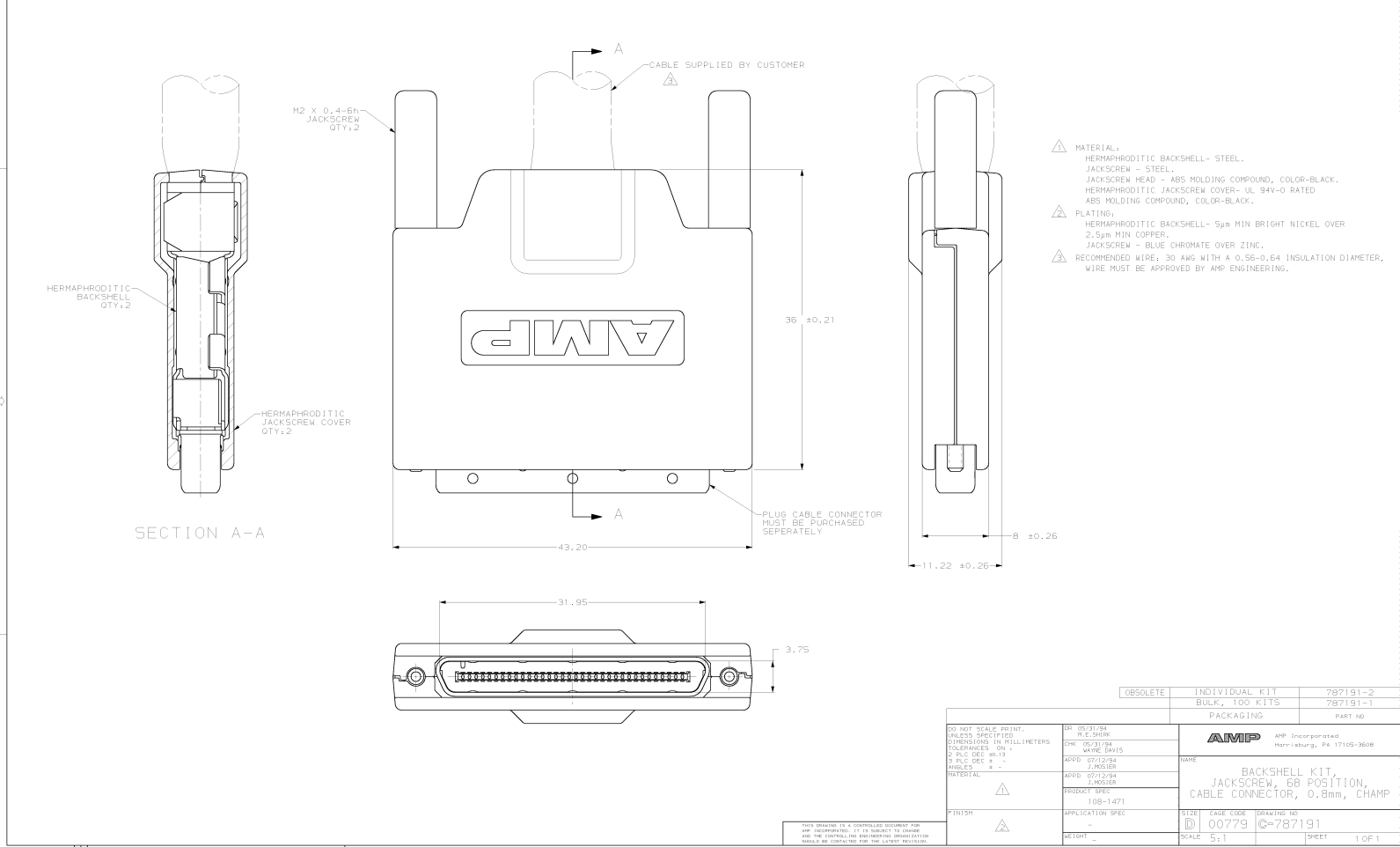


MAKING FROM AN UNPUBLISHED PROTOTYPE  
 THESE DRAWINGS ARE UNCONTROLLED EDITIONS  
 © COPYRIGHT 19 BY AMP INCORPORATED. ALL INTERNATIONAL RIGHTS RESERVED. RELEASED FOR PUBLICATION

REVOLUTIONS		DATE	APPD
00	B	REVISED PER EC 0513-0036-01	JG



- △ MATERIAL:  
HERMAPHRODITIC BACKSHELL- STEEL.  
JACKSCREW - STEEL.  
JACKSCREW HEAD - ABS MOLDING COMPOUND, COLOR-BLACK.  
HERMAPHRODITIC JACKSCREW COVER- UL 94V-0 RATED  
ABS MOLDING COMPOUND, COLOR-BLACK.
- △ PLATING:  
HERMAPHRODITIC BACKSHELL- 5µm MIN BRIGHT NICKEL OVER  
2.5µm MIN COPPER.  
JACKSCREW - BLUE CHROMATE OVER ZINC.
- △ RECOMMENDED WIRE: 30 AWG WITH A 0.56-0.64 INSULATION DIAMETER.  
WIRE MUST BE APPROVED BY AMP ENGINEERING.

OBsolete	INDIVIDUAL KIT	787191-2
	BULK, 100 KITS	787191-1
	PACKAGING	PART NO

DO NOT SCALE PRINT. UNLESS SPECIFIED DIMENSIONS IN MILLIMETERS TOLERANCES IN 3 PL DEC # - UNLES # -	DR 05/31/84 PL-5408 CHK 05/31/84 NAME GAYNE DAVIS APPD 07/12/84 J.MOSIER MODST SPEC 108-1471	AMP Incorporated Harrisburg, PA 17105-3608
MATERIAL	NAME	BACKSHELL KIT, JACKSCREW, 68 POSITION, CABLE CONNECTOR, 0.8mm, CHAMP
FINISH	APPLICATOR SPEC	SIZE D 00779 SCALE 5:1
	RETURN	DRAWING NO G=787191 SHEET 1 OF 1

THIS DRAWING IS A CONTROLLED DOCUMENT FOR AMP INCORPORATED. IT IS SUBJECT TO CHANGE AND THE CONTROLLER HAS THE FINAL DECISION ON ANY CHANGES. CONTACT THE CONTROLLER FOR THE LATEST REVISION.

CUSTOMER DRAWING