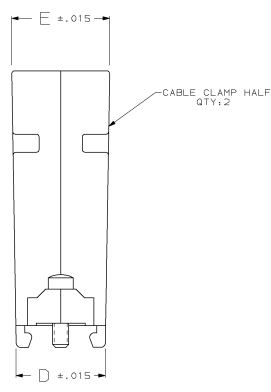
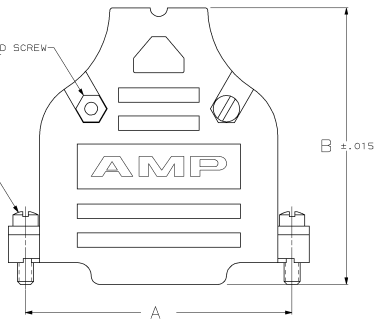
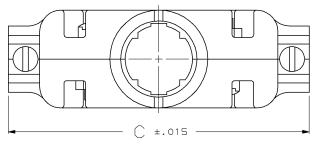
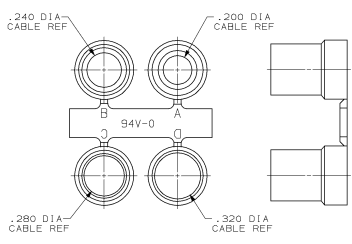


DRAWING MADE IN THIRD ANGLE PROJECTION  
 THIS DRAWING IS UNPUBLISHED. RELEASED FOR PUBLICATION  
 © copyright 1984 BY AMP INCORPORATED. ALL INTERNATIONAL RIGHTS RESERVED.

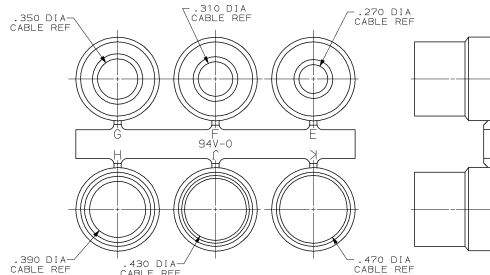
REV	BY	DATE	DESCRIPTION	DATE	APPD
0	BD	48	RELEASED	-	-
A			REVISED PER ECN-2422	8/26/88	SK
B			REVISED PER ECN 805388	11/29/88	RM
C			REV PER EC 0020-117-93	08/19/93	SB
C1			ADDED -E, -V, -B PER NFR 4841	09/09/93	MW
D			REV PER EC 0020-1344-93	11/09/93	SB
E			OBsolete -S THRU -B PER EC 0420-141-96	02/07/97	SB



- ⚠ PARTS PACKAGED UNASSEMBLED AS A UNIT KIT.
- ⚠ CABLE CLAMP HALVES: BLACK ABS MOLDING COMPOUND, FILLISTER HEAD SCREWS, HEX NUTS & MOUNTING SCREWS: STEEL PER ASTM A108, GROMMETS: FLEXIBLE PVC, UL 94V-0 RATED, COLOR: BLACK.
- ⚠ CABLE CLAMP HALVES: NICKEL OVER COPPER, FILLISTER HEAD SCREWS, HEX NUTS & MOUNTING SCREWS, ZINC PLATED PER ASTM B633, TYPE III, CLASS SC1, CLEAR CHROMATE.



GROMMET ASSORTMENT FOR SIZES 1 & 2 ONLY



GROMMET ASSORTMENT FOR SIZES 3, 4 & 5 ONLY

PACKAGING	E	D	C	B	A	SIZE	PART NO
OBsolete	.680	.640	2.090	1.920	1.852	3	748677-8
OBsolete	.620	.620	1.545	1.910	1.312	2	748677-7
OBsolete	.570	.630	1.215	1.910	.984	1	748677-6
STANDARD	.900	.730	2.644	1.920	2.406	5	748677-5
STANDARD	.800	.620	2.738	1.920	2.500	4	748677-4
STANDARD	.680	.640	2.090	1.920	1.852	3	748677-3
STANDARD	.620	.620	1.545	1.910	1.312	2	748677-2
STANDARD	.570	.630	1.215	1.910	.984	1	748677-1

DO NOT SCALE PRINT. UNLESS SPECIFIED DIMENSIONS IN INCHES TOLERANCES ON + 2 PL DEC + .005 INCHES	DR 5/4/88 S. HELEN	AMP INCORPORATED Newburgh, NY 12550
	CHK 5/4/88 S. GLENNER	
MATERIAL	APPD 5/6/88 R. WINE	NAME KIT, CABLE CLAMP, 180° EXIT, W/GROMMETS, PLATED PLASTIC, AMPLIMITE®
FINISH	APPD 5/6/88 V. KURAN	SIZE D 00779
WEIGHT	PRODUCT SPEC	SCALE 3:1
		DRAWING NO 748677
		SHEET 1 OF 1

25-SEP-97 14:26:36 0008242 /home/ssrv0264/ss04/dep4129/amp08242/etmod

CUSTOMER DRAWING